



Apple 800K Drive





Take Apart

Apple 800K Drive

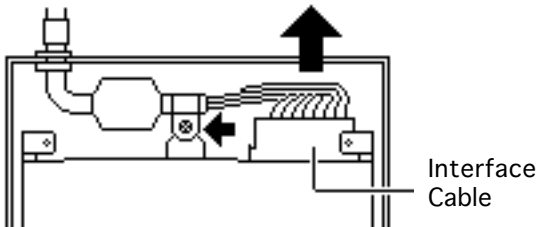
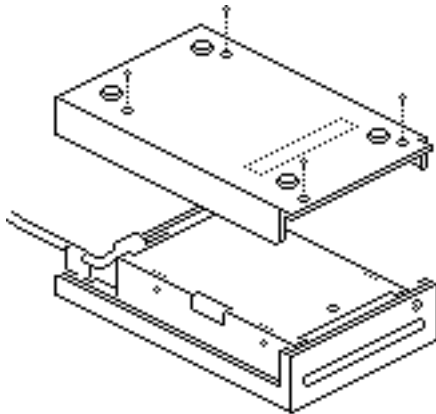




Bottom Cover & Interface Cable

No preliminary steps are required before you begin this procedure.

- 1 Remove the four screws from the bottom cover. Lift off the bottom cover.
- 2 Remove the screw from the clamp that holds the interface cable and disconnect the interface cable.



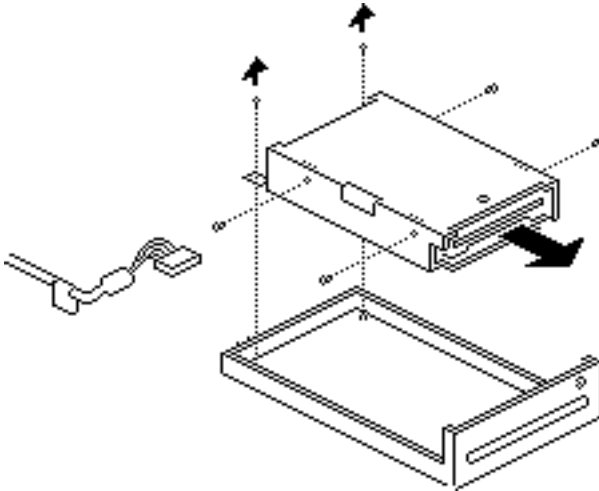


Drive Assembly

Before you begin, remove the following:

- Bottom cover
- Interface cable

- 1 Remove the two screws and lift the drive assembly from the cover.
- 2 Remove the four screws that hold the drive in the housing.
- 3 Slide the drive out of the housing.





Additional Procedures

Apple 800K Drive





Restoring Mouse Eject

Before you begin, remove the following:

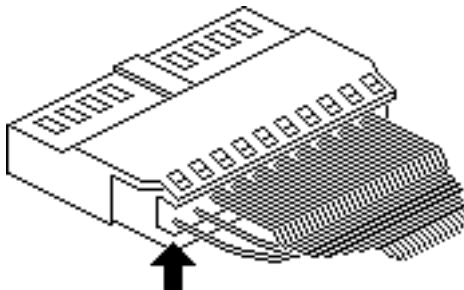
- Bottom cover
- Interface cable

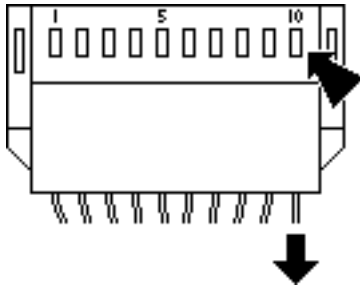
When the Apple 3.5 mechanism is installed in the 800K drive, you cannot eject a disk by holding down the mouse button during bootup. To correct this:





- 1 Orient the cable connector as shown. Locate the last wire on the left side in the lower row. The pin above it is empty.





- 2 Look at the bottom and locate the spring clip under the wire.
- 3 Push in on the spring clip and gently pull on the wire to remove it.
- 4 Wrap the connector end of the wire with electrical tape to prevent electrical contact.





Exploded View

Apple 800K Drive



