



Apple 400K Drive





Take Apart
Apple 400K Drive

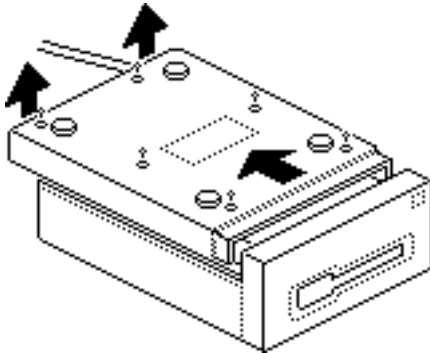




400K Mechanism

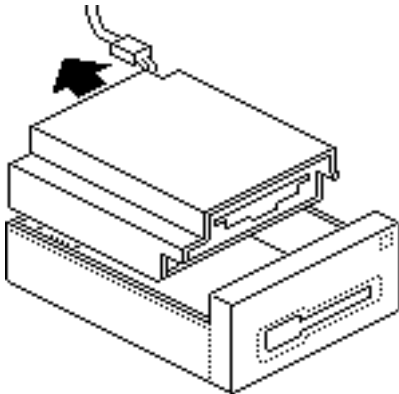
Before you begin, turn disk drive over, bottom facing up.

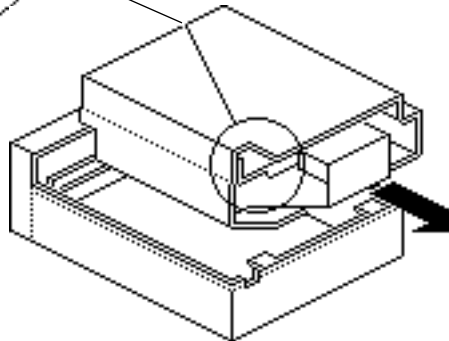
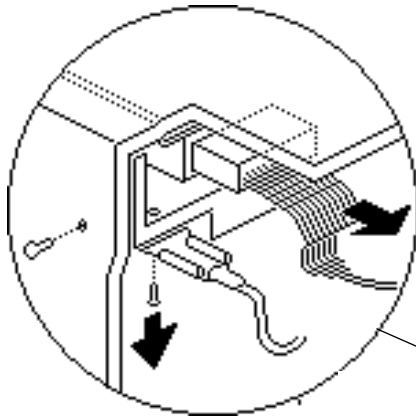
- 1 Remove the six screws from the bottom cover. Lift the back of the cover about an inch and pull it out from the front bezel.





- 2 Lift the back of the metal drive housing—being sure to support the cable connector—and remove the drive from the bottom cover.





- 3 Remove the cable connector.
- 4 Remove the screw that holds the grounding tab in place.
- 5 Remove the screw on the outside of the metal drive housing and slide the drive from the housing.





Exploded View

Apple 400K Drive



