



Sheet Feeder

LaserWriter Pro 600/630 Sheet Feeder,
LaserWriter 16/600 PS Sheet Feeder





Basics

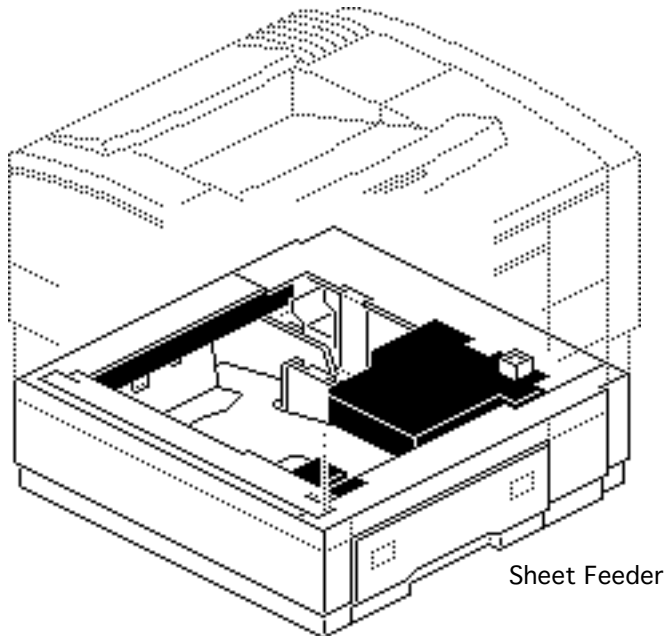
Sheet Feeder





About This Manual

This manual covers the Take Apart, Additional Procedures, and Adjustments for the sheet feeder. Refer to the main printer manuals for all other information.



Sheet Feeder





Compatibility

Note: The LaserWriter Pro 600/630 feeder is not compatible with the LaserWriter Pro 16/600 PS printer, but the LaserWriter Pro 16/600 PS feeder is compatible with the LaserWriter Pro 600/630 printer. Unless noted otherwise, all parts and procedures contained in this manual do apply to both versions.

You can tell the two feeders apart in two distinct ways:

- 1 By comparing controller board serial numbers: The LaserWriter Pro 600/630 sheet feeder controller board has the vendor number "RG5-0541" imprinted on it. The LaserWriter 16/600 PS sheet feeder controller board bears the number "RG5-1086."
- 2 By comparing serial numbers: Numbers starting with JBD00001 denote feeders for use only with the Pro





600/630. Numbers starting with LBJ00001 denote feeders for use on both generations of printer.





Take Apart
Sheet Feeder

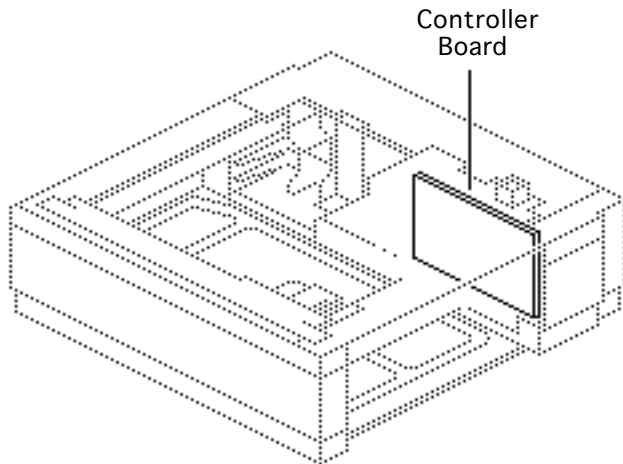


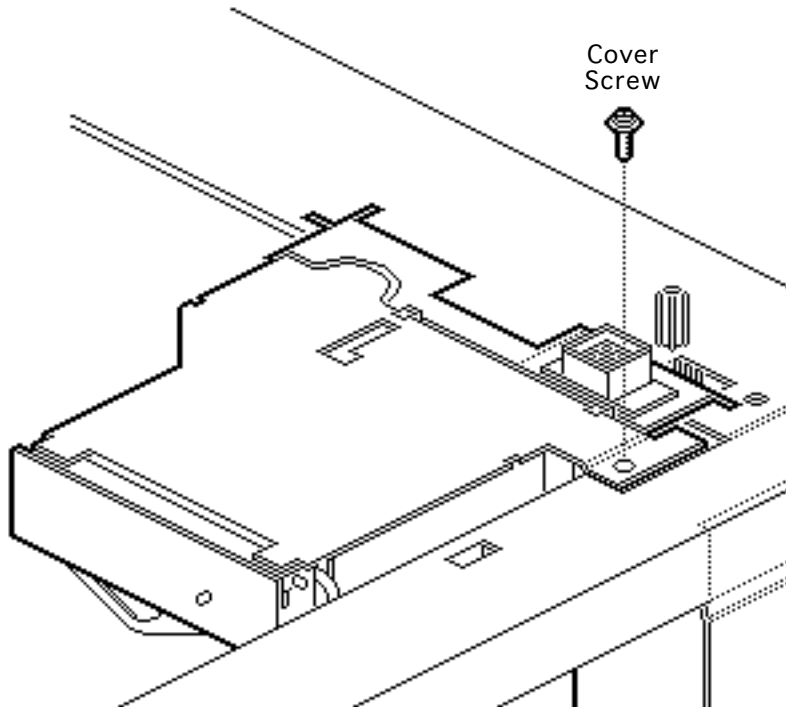


Controller Board

No preliminary steps are required before you begin this procedure.

Note: See "Circuit Board Diagrams" in Basics in the main printer manual for layout of board.



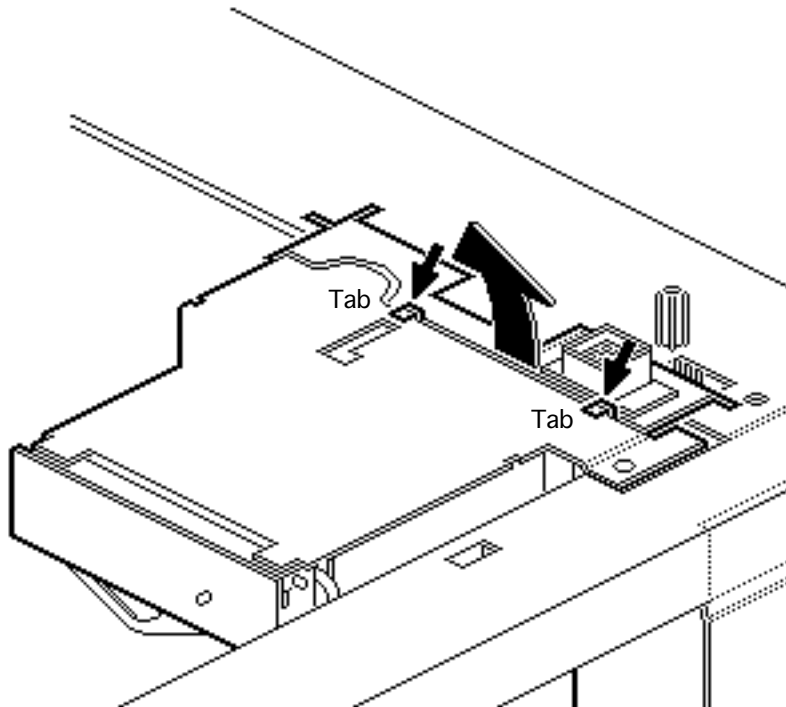


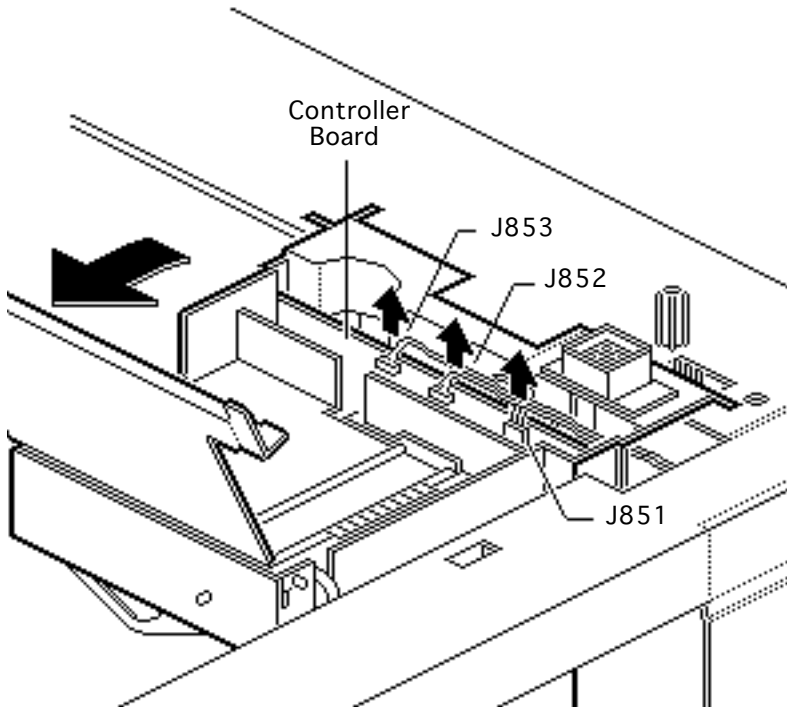
- 1 Remove the single black screw that secures the controller block cover.





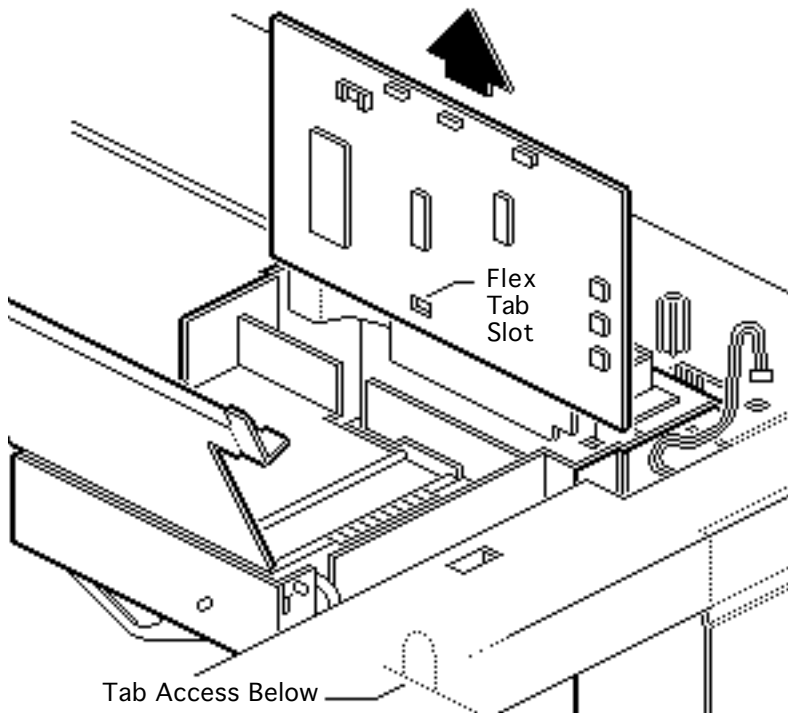
- 2 Release the two flex tabs and swing the cover upward.





- 3 Cut the cable tie (if present) and disconnect the three cables from the controller board.





- Note:** There is a flex tab near the bottom that hooks into a slot in the controller board. An arch-shaped hole on the inside face of the controller block housing provides access to the flex tab.
- Release the flex tab and carefully slide out the board.

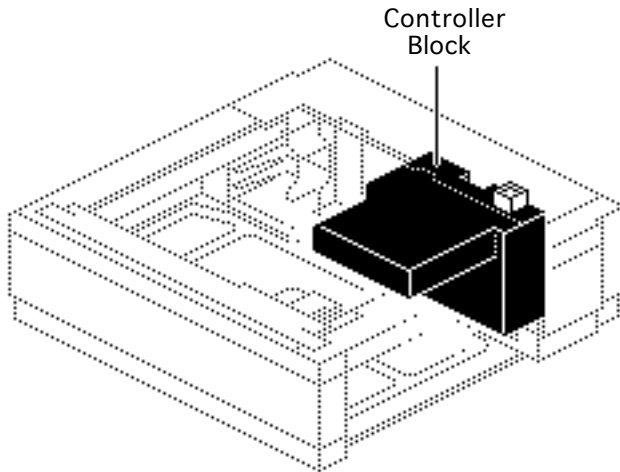


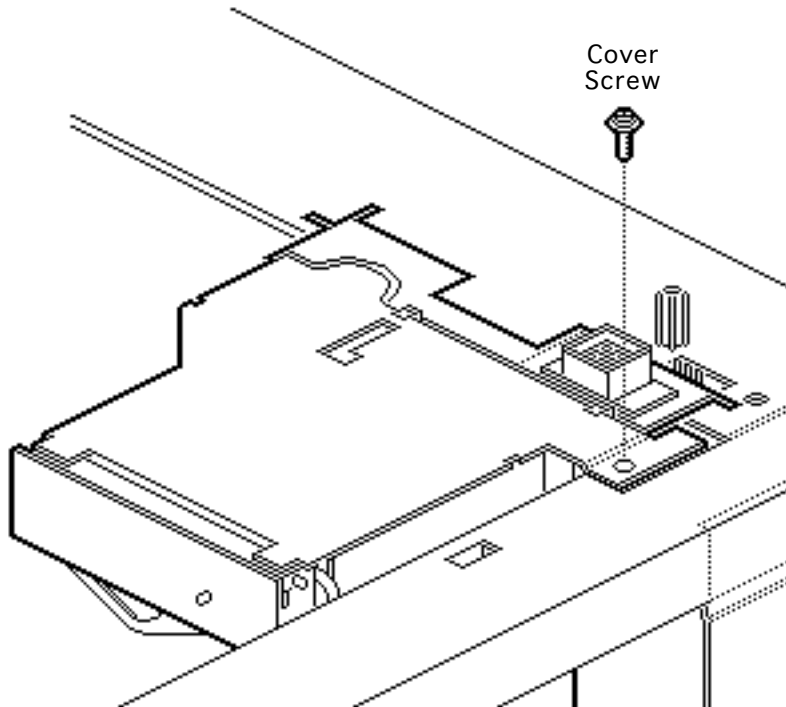


Controller Block

No preliminary steps are required before you begin this procedure.

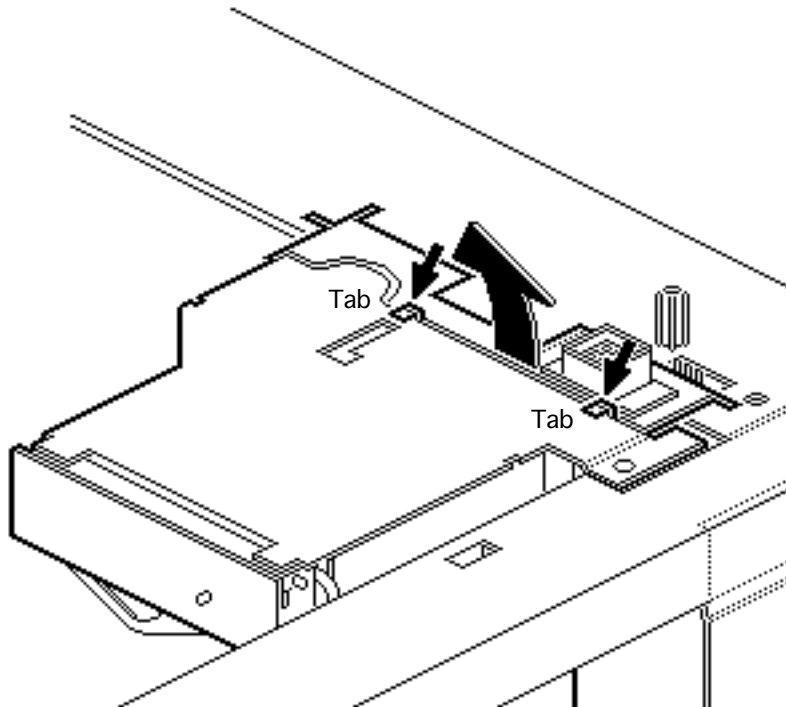
Note: The controller block is available from Apple but it does not include the lid or controller board. Save these two parts if you are replacing the controller block. None of the other parts contained in the controller block is available separately.





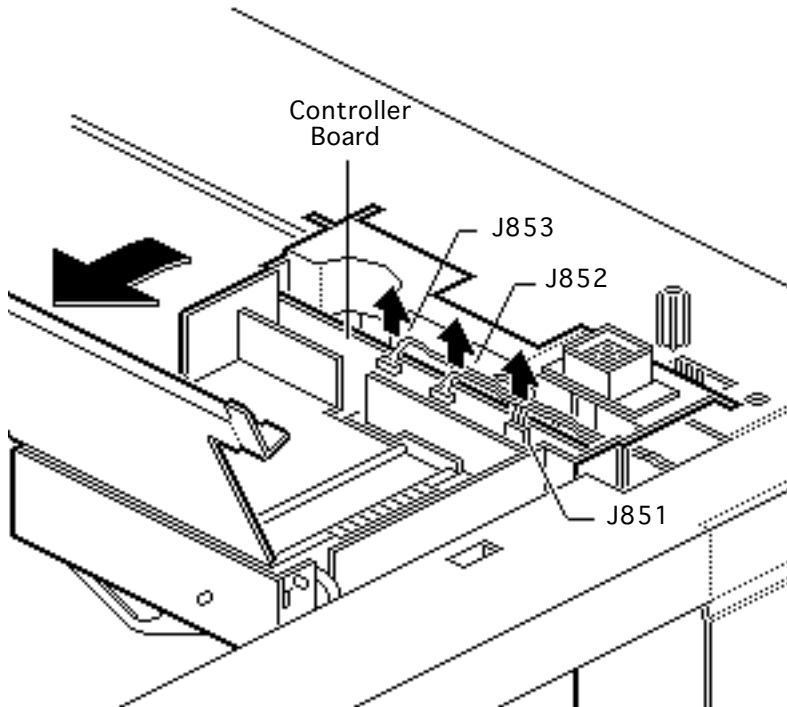
- 1 Remove the single black screw that secures the controller cover.





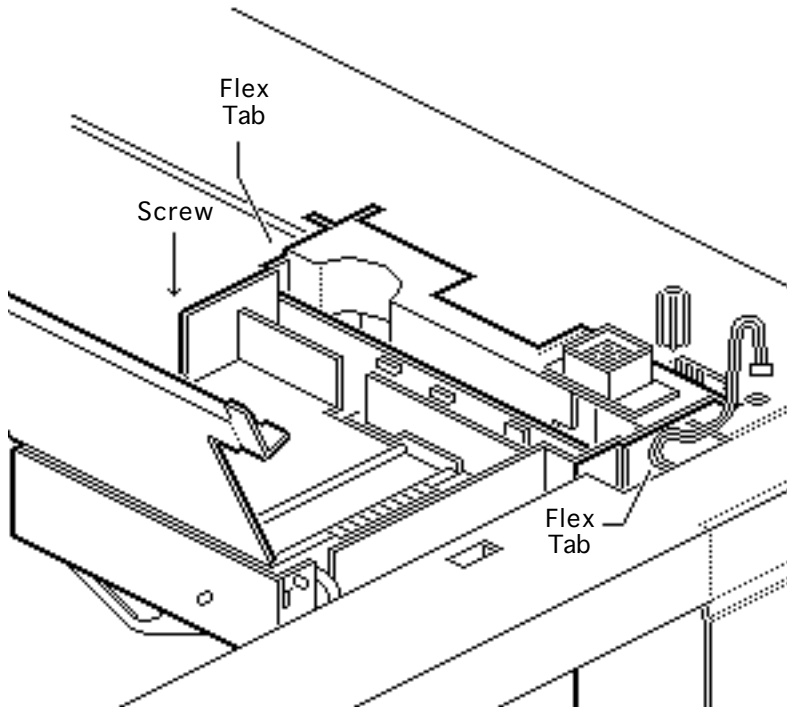
- 2 Release the two flex tabs and swing the cover upward.





- 3 Cut the cable tie (if present) and disconnect the three cables from the controller board.

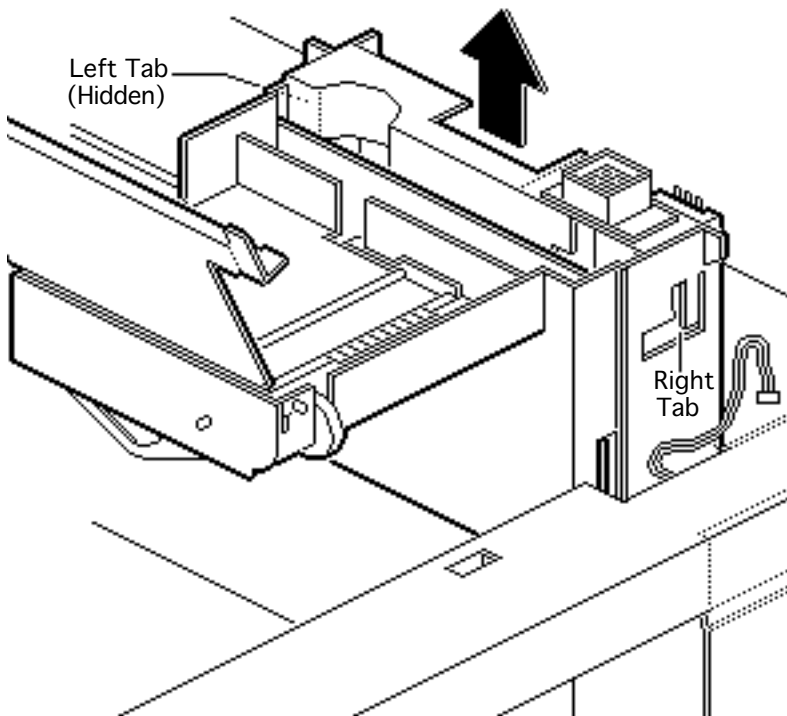




- Note:** One screw and two flex tabs attach the controller block to the feeder. The flex tabs are located on the sides of the block about an inch from the top surface.

Remove the single screw near the base that secures the block to the feeder.





- 5 Release the two flex tabs and slide the block up and out of the feeder.

Replacement Note: Take care not to damage the cassette microswitch springs.

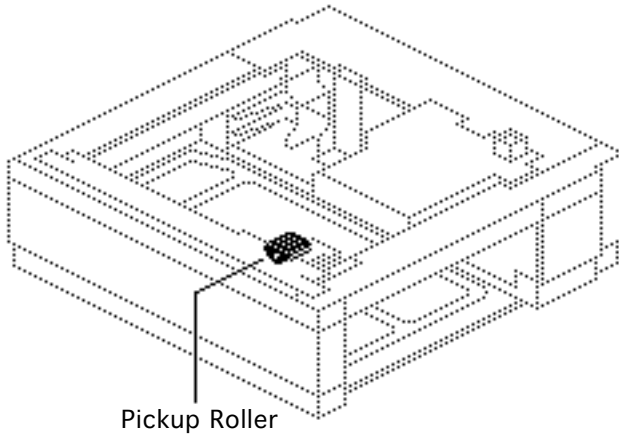




Pickup Roller

No preliminary steps are required before you begin this procedure.

- 1 Pinch the clip on the pickup roller and slide the roller off the shaft.



**Replacement Note:**

There is a fixed dowel pin in the pickup roller shaft. You must rotate the pickup roller into alignment with this pin before the roller can slide all the way onto the shaft.

Install the pickup roller as illustrated on the label on top surface of the drive block. A conspicuous grinding sound coming from the sheet feeder may be due to improper positioning of the pickup roller.

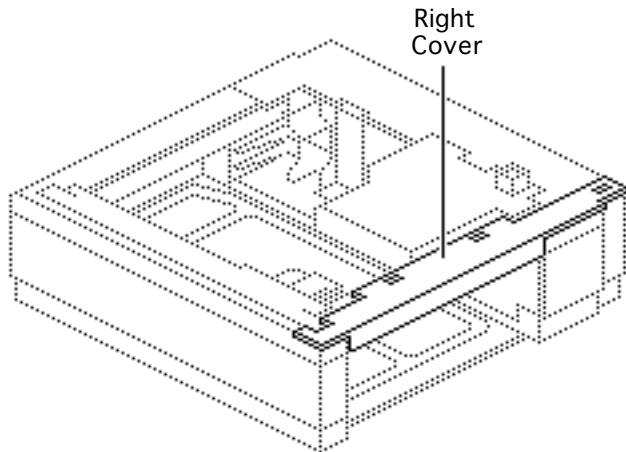




Right Cover

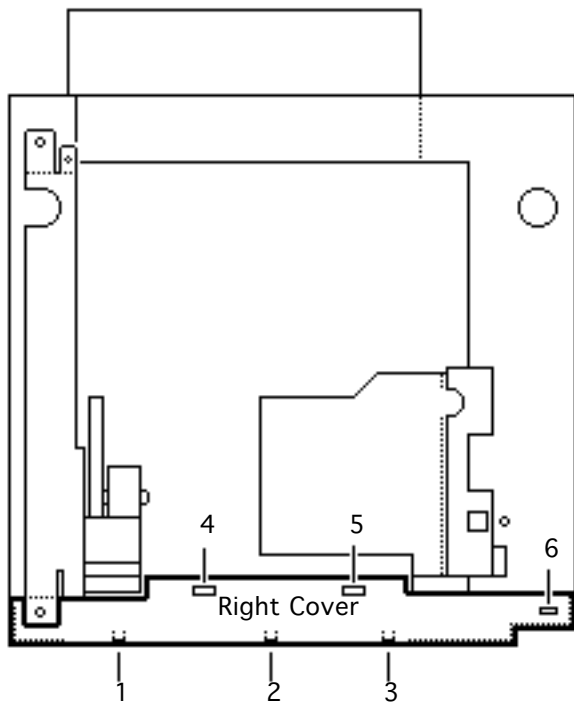
No preliminary steps are required before you begin this procedure.

Note: The right cover is held in place by three hidden fixed tabs along the outside face (1,2, & 3 on the next page), two flex tabs (4, 5) along the inside face, and one flex tab (6) at the right end of the cover.



- 1 Work your fingertips under the edge of the right cover at the tab 1 location, pull the face





outward firmly, and release the cover.

- 2 Reposition your hand and repeat for tabs 2 and 3.
- 3 Release flex tabs 4 and 5 and lift the cover from the sheet feeder.



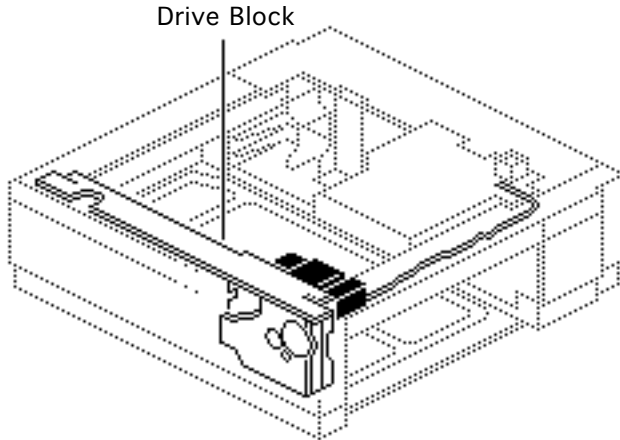


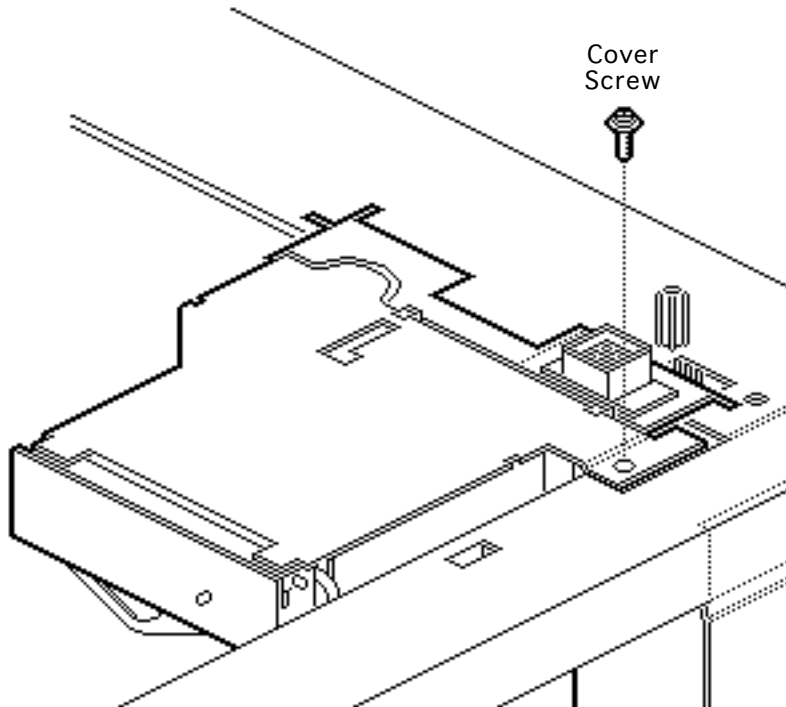
Drive Block

Before you begin, remove the right cover.

Note: Refer to the following take-apart topics for disassembly of the drive block:

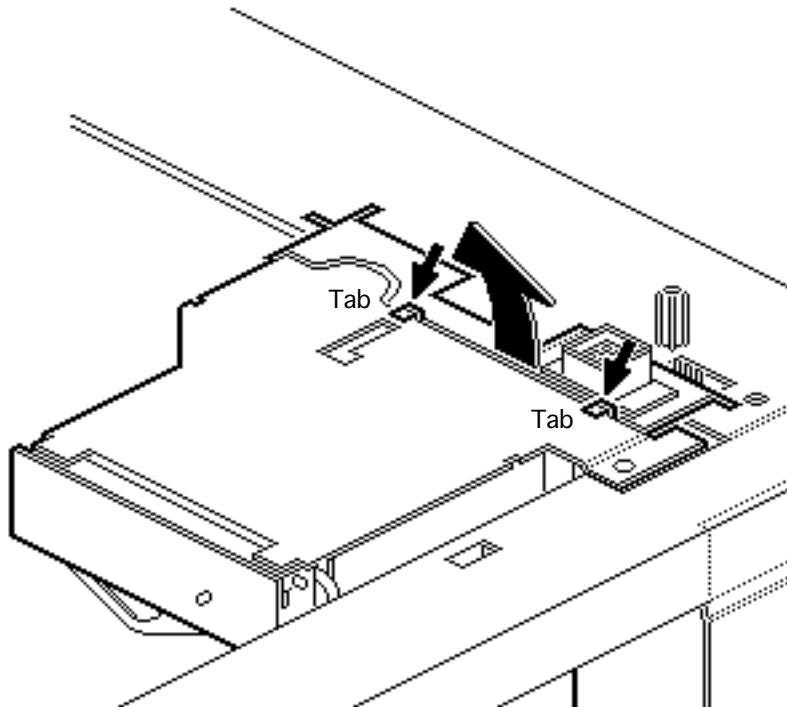
- Motor Assembly
- Pickup Solenoid
- Feeder Rollers





- 1 Remove the single black screw that secures the controller block cover.



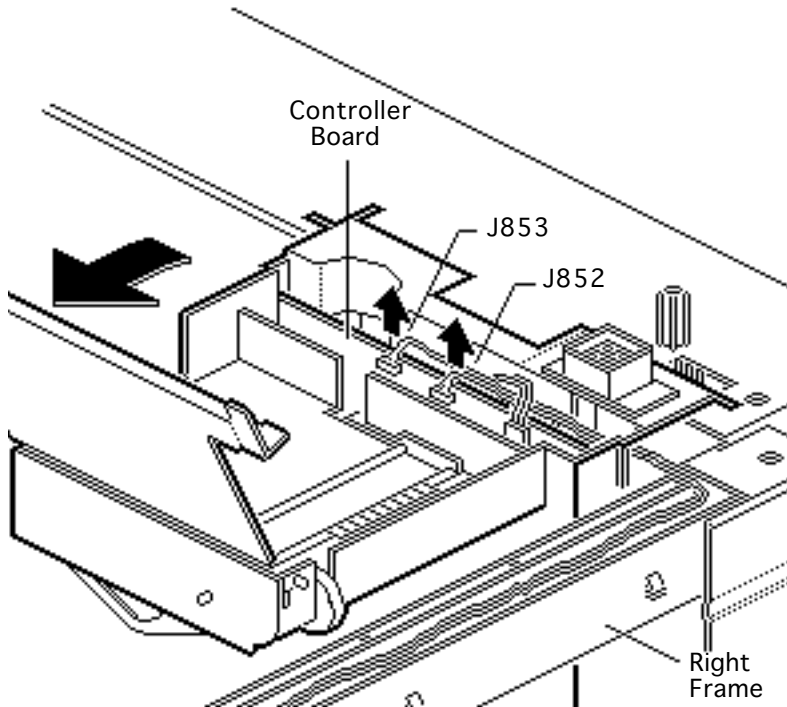


- 2 Release the two flex tabs and swing the cover upward.



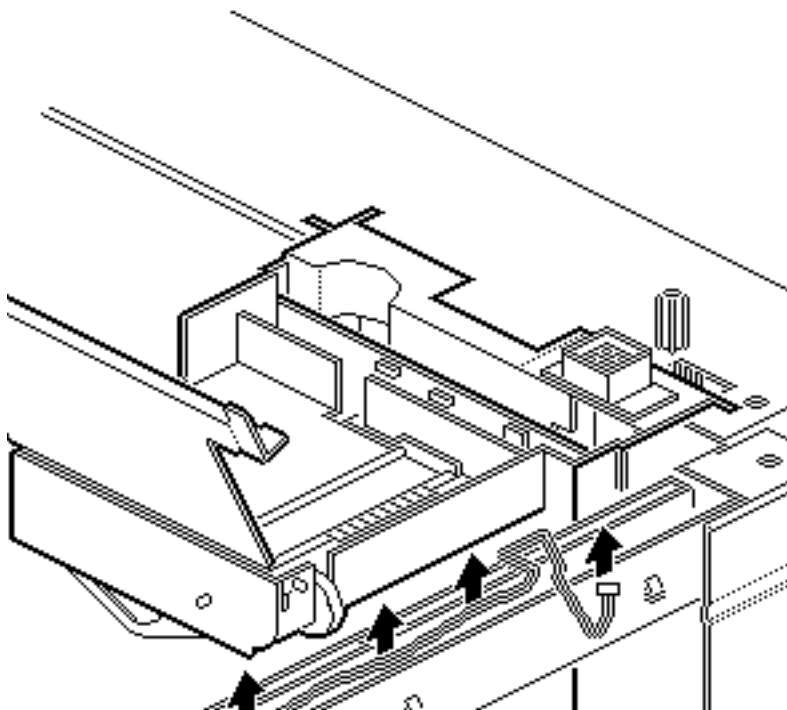


- 3 Cut the cable tie (if present) and disconnect the two cables that run across the right frame to the drive block.





- 4 Remove the cables from the channel in the right frame.

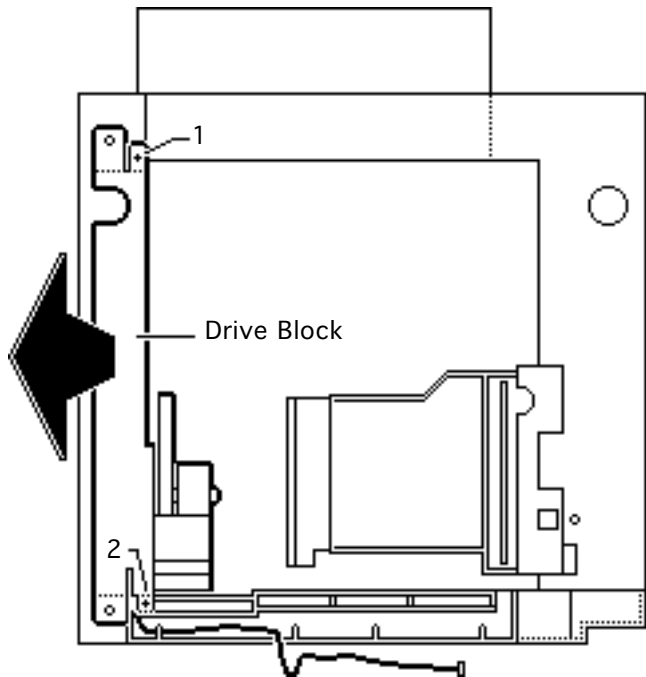




- 5 Remove the two screws and lift the drive block out of the sheet feeder.

Replacement Note:

There are two pins and a ground spring on the bottom of the drive block in addition to the two positioning pins on the top. Be careful to seat all of them before reinstalling the drive block.



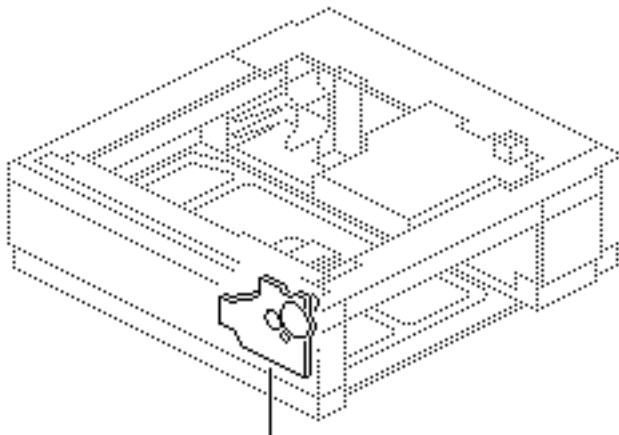


Motor Assembly/ Pickup Solenoid

Before you begin, remove the following:

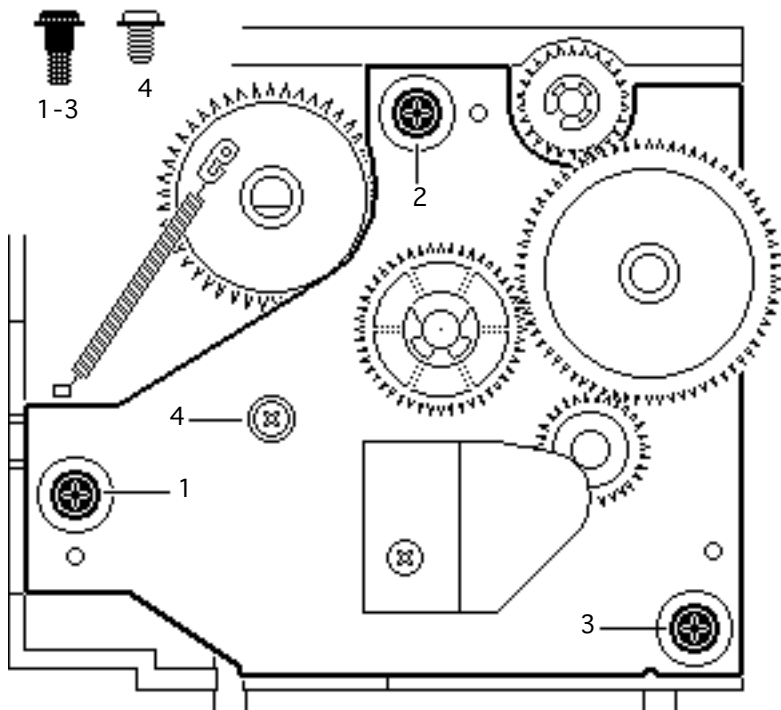
- Right cover
- Drive block

Note: The motor assembly consists of a mounting plate, the motor, and two transfer gears. None of the assembly subcomponents is available from Apple.



Motor Assembly and
Pickup Solenoid

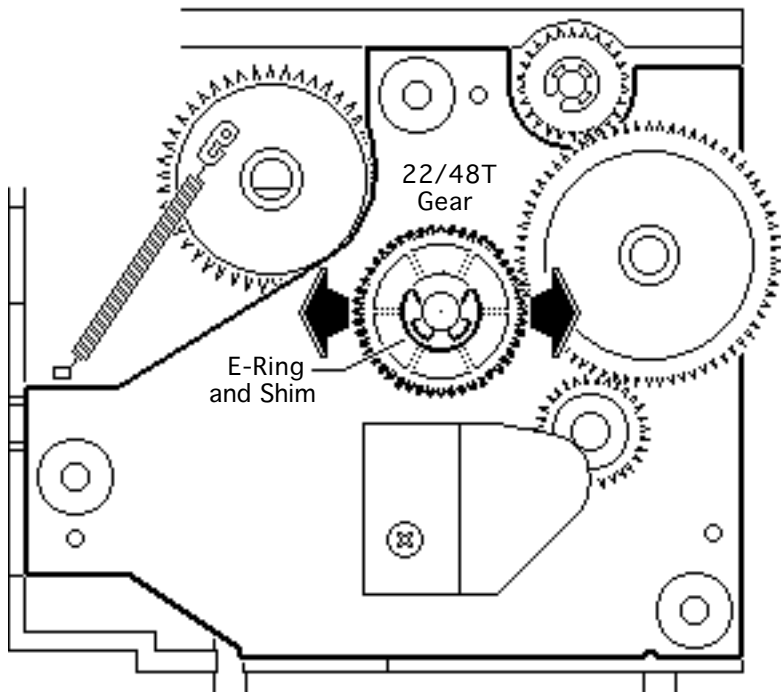




- 1 Remove the four screws.

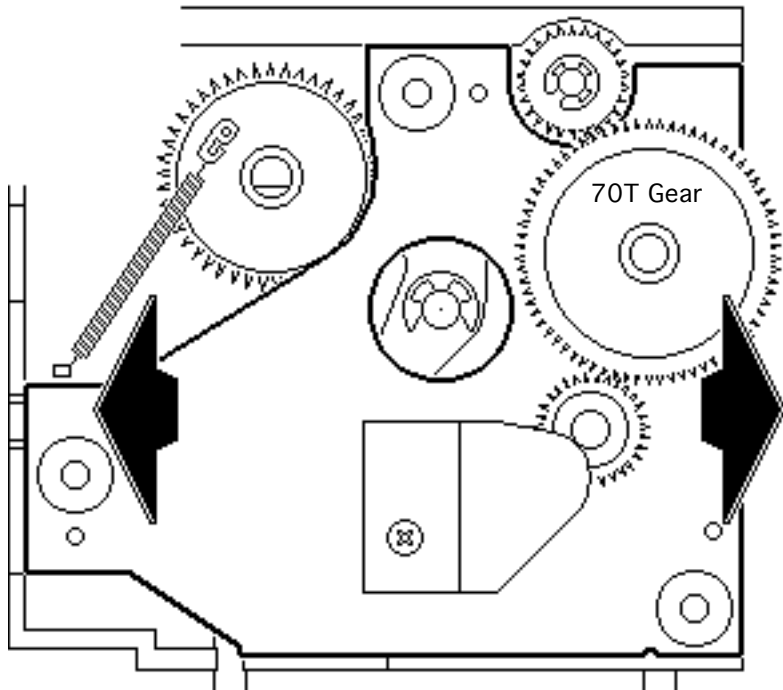
Replacement Note: The three screws at 1, 2, and 3 are stepped machine screws. Do not substitute the screws at these locations.





- 2 Remove the E-ring and the shim washer and pull off the 22/48T gear.

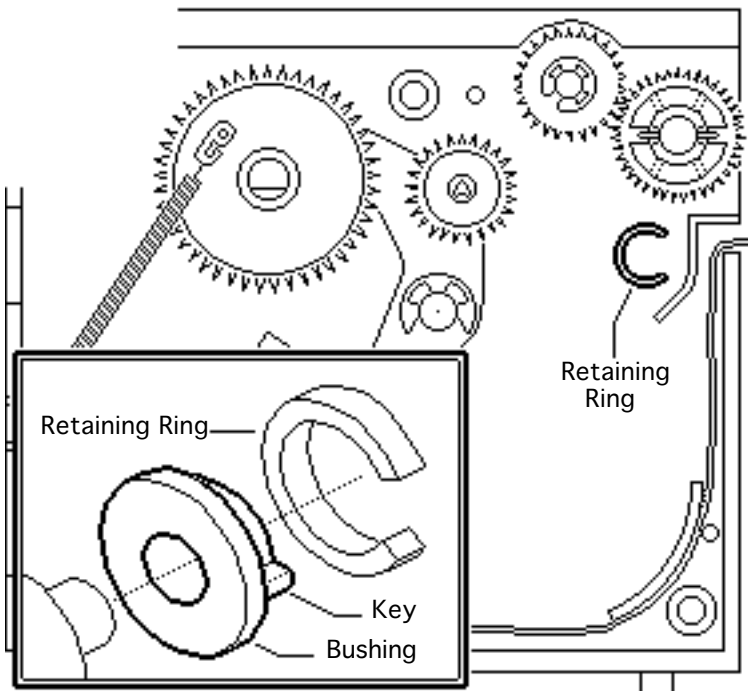




- 3 Remove the motor assembly from the drive block.

Note: There is a plastic bushing at the far end of the 70-tooth gear shaft. This bushing is not a part of the motor assembly but is available separately. If the bushing has stuck to the shaft, remove it now and set it aside. See the next page for a replacement note regarding this bushing.





Replacement Note: The bushing is plastic and is keyed. When properly installed, the bushing nests within the C-shaped retaining ring in the drive block. When installing the motor assembly, make sure that the key is pointing to the right, toward the open end of the C.



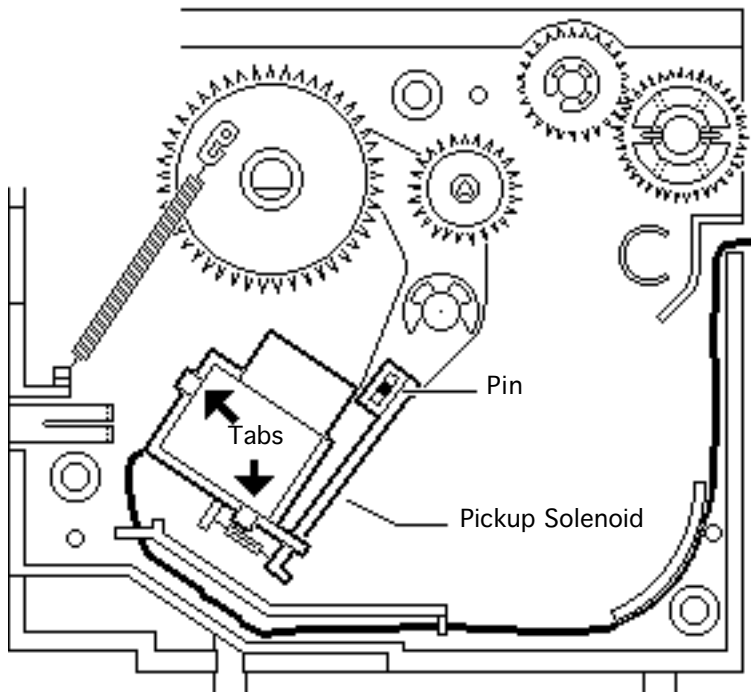


Pickup Solenoid

- 1 **Note:** Perform the following task only if you want to remove the pickup solenoid.

Release the two tabs, remove the cables from the channel, and lift out the pickup solenoid.

Replacement Note: Make sure to pin the solenoid to the boomerang-shaped pendulum as shown.



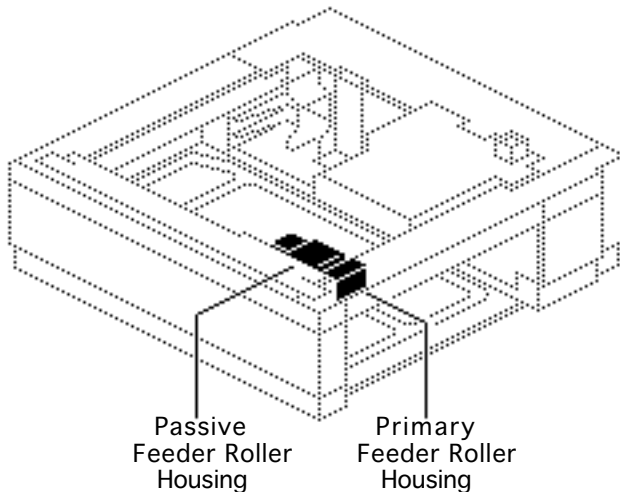


Feeder Rollers

Before you begin, remove the following:

- Right cover
- Drive block
- Motor assembly

Note: There are one primary and two passive feeder rollers. The passive rollers compress against the primary roller to form a gripping surface. Paper moves from the pickup roller into the feeder rollers, up through a narrow opening in the upper





cassette tray, and into the feed mechanisms in the paper pickup block. The passive roller assembly consists of three orderable parts:

- Passive roller mount
 - Passive roller housing
 - Passive roller spring
- 1 **Note:** The primary feeder is black, and is forward of the two white passive rollers. The screw in the following step is a 10 mm binding head screw.

Remove the screw located within the feeder roller housing.

Caution: The dowel pin at the gear end of the shaft is prone to fall out once you remove the E-ring.

- 2 Remove the E-ring, slide the roller housing off the flange and remove the housing from the drive block, then remove the feeder roller off the shaft.





- Note:** Perform the following steps only if you need to remove the passive roller assembly. The paper weight mentioned in the following step is the rabbit-ear shaped part inside the pickup roller. It has an open grip-style connection to the pickup shaft.

Grasp the paper weight and pull it off the pickup shaft.

- Remove the screw that secures the passive roller housing to the drive block and slide the passive roller assembly off the spindle.





Exploded View

Sheet Feeder





Exploded View

