



## Color StyleWriter 2500

---





## Basics

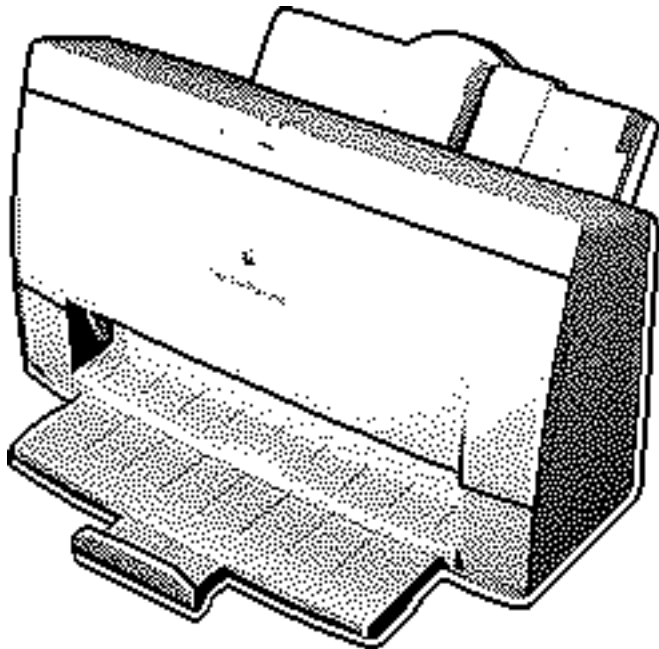
Color StyleWriter 2500

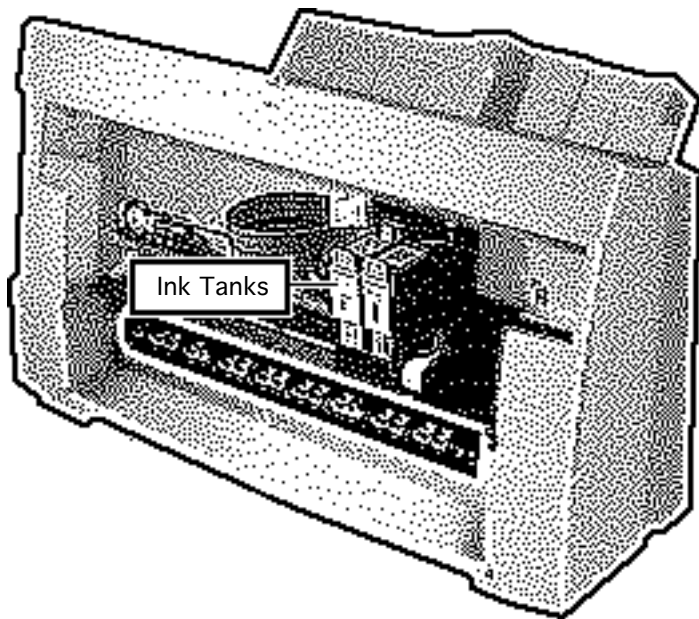




## Overview

The Color StyleWriter 2500 is a desktop color bubble-jet printer for personal use. It has various features such as high-speed printing (3 pages per minute), high print quality, printing on plain or coated paper, and a cut sheet feeder.





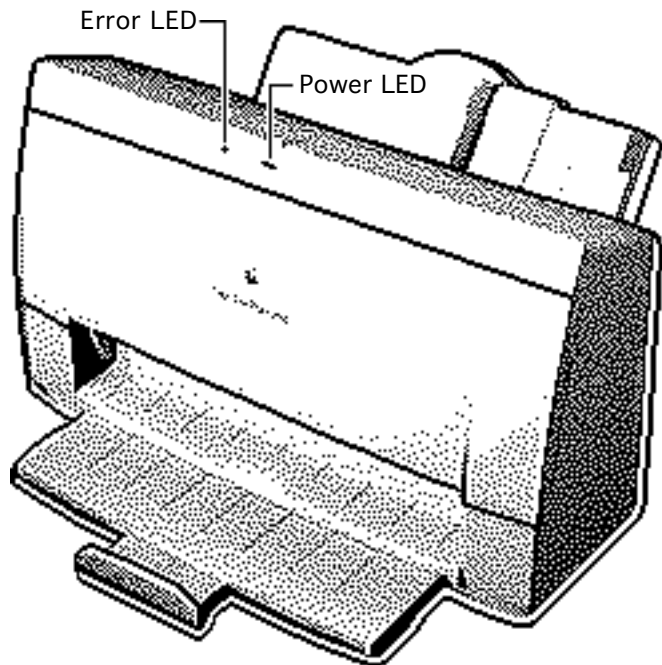
The Color StyleWriter 2500 can be configured with

- Four-color ink cartridge
- High-performance black ink cartridge
- Color PhotoGrade ink cartridge

All of these cartridges can be easily replaced.

**Note:** The four-color cartridge contains two ink tanks that can be replaced separately. One tank contains black ink and the other tank contains the yellow, cyan, and magenta





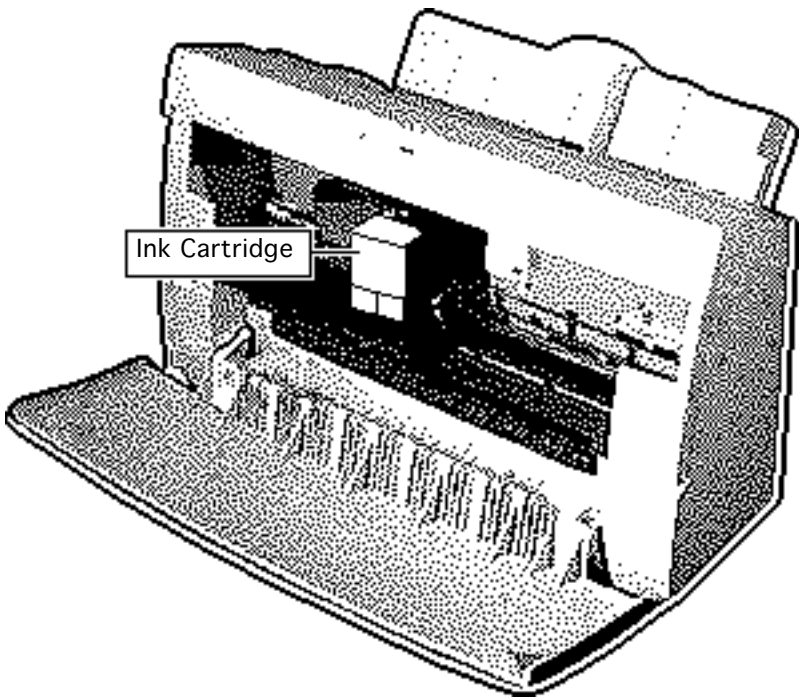
inks. Each tank can be replaced separately.

The Color StyleWriter 2500 has two LEDs that can aid in troubleshooting the printer. See the Troubleshooting chapter for more information.





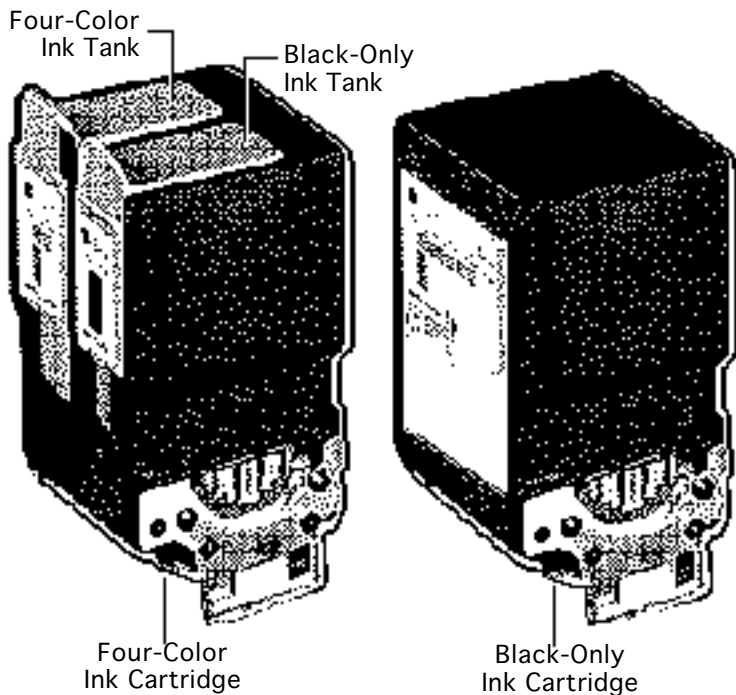
## Ink Cartridge Identification



**Caution:** Do not get the printer's ink on your hands or clothes. Although the ink is water soluble, it contains dyes that will stain.

**Caution:** To prevent the print heads from clogging, do not touch or wipe them.





**Note:** Two ink cartridges come with the printer. One cartridge is black ink only; the other is a four-color ink cartridge with two ink tanks.

**Note:** These are the same ink cartridges as the StyleWriter 2400 ink cartridges and ink tanks.





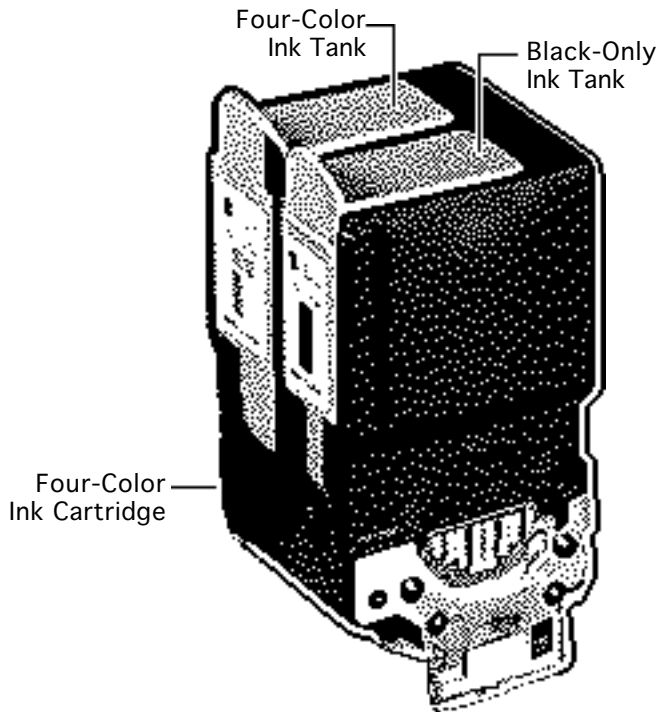
## High-Performance, Black-Only Ink Cartridge

The black ink cartridge contains black ink only. The Service part number for the black-only cartridge is for service use only. To order a replacement cartridge for a customer, use the finished goods part number (M3240G/A).

Black-Only  
Ink Cartridge







## Four-Color Ink Cartridge

The four-color ink cartridge holds two ink tanks. One tank contains black ink only, and the other tank contains the cyan, magenta, and yellow inks.

The finished goods part number for the black-only tank is M3330G/A. The finished goods part number for the color tank is M3329G/A).





## Color PhotoGrade Ink Cartridge

The Color PhotoGrade ink cartridge holds four ink tanks and the print head in an all-in-one design.

**Important:** The Color PhotoGrade Print Kit (M5577\*\*/A) includes the ink cartridge, PhotoGrade paper, and PhotoGrade Updater software. For photorealistic results, the kit contents must be used together.

Color PhotoGrade  
Ink Cartridge





**Note:** The \*\* designator in finished goods part number M5577\*\*/A varies due to localized software.

To order replacement supplies, use the following finished goods part numbers:

- Color PhotoGrade Ink Cartridge (M5579G/A)
- Color PhotoGrade Paper, Letter-Size (M5578G/A)
- Color PhotoGrade Paper, A4-Size (M5581G/A)

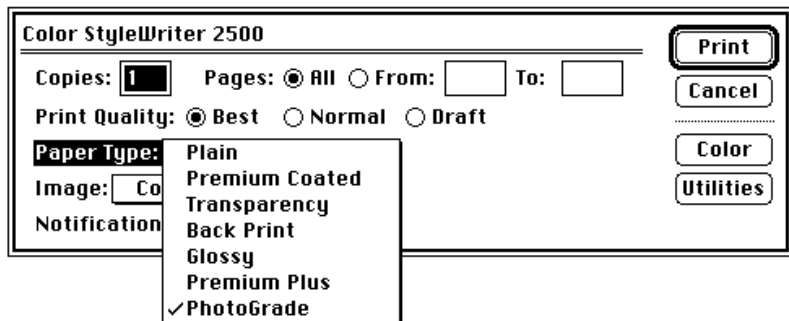
### **Printing with the Color PhotoGrade Ink Cartridge**

- 1 Install the PhotoGrade Updater software and the ink cartridge as instructed in the user booklet titled Color StyleWriter 2500 Color PhotoGrade Print Kit.
- 2 Load the PhotoGrade paper into the sheet feeder so the whiter side faces you.
- 3 Open the document you want to print.





- 4 Select Print from the File menu.
- 5 In the Print dialog box, select PhotoGrade from the Paper Type pop-up menu.
- 6 Click Color.



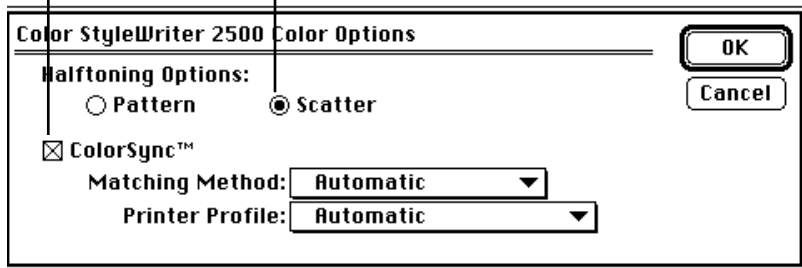
PhotoGrade Selected





ColorSync On

Scatter Selected



- 7 In the Color Options dialog box,
  - Select Scatter for the best blend of ink
  - Turn on ColorSync (Automatic) for the best color matching

8 Click OK.

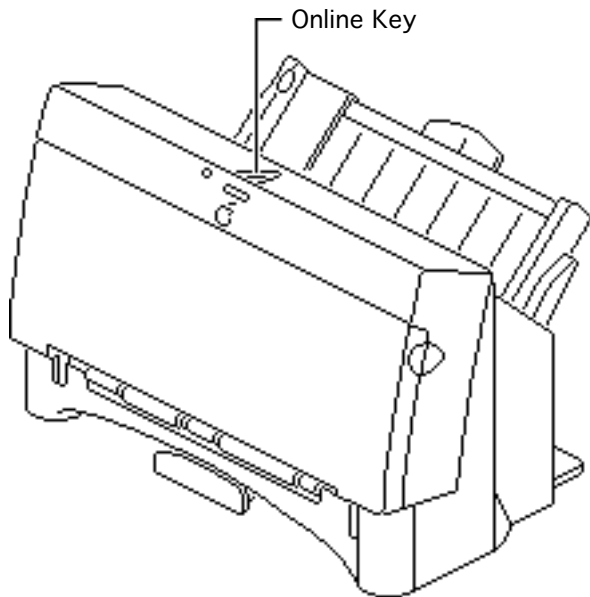
9 Click Print.

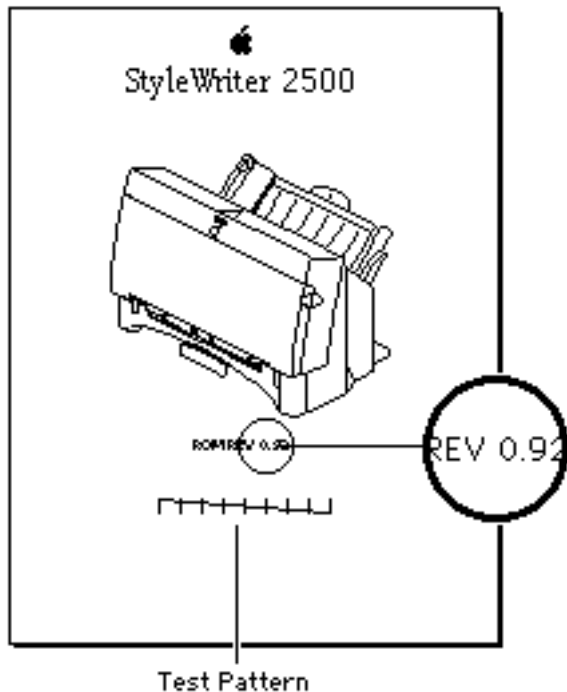




## Test Page

Turn on the printer and hold down the online key for at least 6 seconds or until the test page prints.





The test page shows the ROM revision and a test pattern.

Use the test pattern to determine if the ink jets are functioning properly. If lines appear broken, proceed to the "Printing" topic in the Troubleshooting chapter.

**Note:** There are two test pages, one for the black-ink only cartridge and one for the four-color ink cartridge.





# Color StyleWriter 2500

**Features:**

- **High resolution.** Prints your Macintosh documents in millions of vibrant colors and line blacks at up to 720 by 360 dots per inch.
- **Lots of fonts.** Offers your choice of typefaces to fit in typefaces.
- **Many paper options.** Lets you print on a variety of paper sizes and types—and on overheads, too.
- **Easy to use.** Everything you need to start printing—even the table—is included.
- **Energy-wise.** Reduces power consumption through an automatic power-on/off feature.
- **Great for offices.** You can share your printer with others on a localTalk, EtherTalk, or FileTalk network.

**Quality printing makes your ideas stand out.**

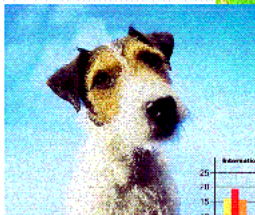
Create impact with the power of color. You'll capture attention with colorful top-quality newsletters, brochures, school reports, presentations, and more.

**Brilliant color.**

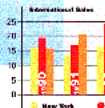
What you see are sharp, clear colors. What many don't see is what is Apple's ColorSync technology, which uses the closest possible match seen on your monitor.



Mo mo  
Saw the  
and told  
daddy

**ACTUAL PRINT SAMPLE**

Use your stock color to register Apple's proprietary paper and image modes.



© 1991 Apple Computer, Inc. All rights reserved. Apple, the Apple logo, and Macintosh are trademarks of Apple Computer, Inc., registered in the U.S. and other countries. Other names may be trademarks of their respective owners.

## Demo Test Page Units

The Color StyleWriter 2500 demo unit logic board ROM contains a unique demo page. A limited quantity are being sold for use by Apple resellers.

**Note:** The demo test page printer may be serviced the same as a regular 2500, however, if the logic board is replaced it will lose the demo page capability. If that feature is needed, the unit should be RMAed to Finish Goods.







## Specifications

---

Color StyleWriter 2500





## Characteristics

### **Print Methods**

Serial bubble jet ink-on-demand

### **Throughput**

Up to three pages per minute with the high-performance black ink cartridge

Up to 0.3 page per minute for color

Actual speed depends on the documents printed and the Macintosh used

### **Print Head**

Four color cartridge: 136 nozzles (vertically-lined)

1 x 64 nozzles for black color

3 x 24 nozzles for yellow, magenta, cyan

Black cartridge: 128 nozzles (vertically-lined)





# Graphics

## **Resolution**

Best: 720x360 dpi with optimized ink density for color, greyscale, black and white

Normal: 360 x 360 dpi for color, greyscale, black and white

Draft: 180 x 180 dpi for faster printing





## Print Media

<b>Paper</b>	Plain paper, coated (recommended for color picture output) Color PhotoGrade paper (required for photorealistic color output)
<b>Envelopes</b>	Commercial number 10, monarch, and other sizes Capacity: 15 envelopes
<b>Transparencies</b>	Coated transparencies, most ink jet transparencies Capacity: 20 sheets
<b>Back-Print Film</b>	Letter, A4 For superior graphics and imaging results, premium paper and back-print film are recommended





## Cut Sheets

LTR, LGL, A4

U.S. Letter (LTR): 8.5 x 11 in. (215.9 mm x 279.4 mm)

U.S. Legal (LGL): 8.5 x 14 in. (215.9 mm x 355.6 mm)

A4: 210 mm x 297 mm

Weight: 16-24 lbs. Capacity: 100 sheets (A4, LTR);  
20 sheets coated paper





## Ink Cartridges

<b>Type</b>	High-performance black ink cartridge with integrated ink tank and print head Four-color ink cartridge with two ink tanks (black only and color—cyan, magenta, yellow) and integrated print head Color PhotoGrade ink cartridge with four ink tanks and integrated print head
<b>Ink Color</b>	Black Four-color (Black, cyan, magenta, yellow)
<b>Shelf Life</b>	6 months (installed in printer) 18 months (in original package)





**Print Head  
Cartridge Life**

Text: Approx. 900 pages (A4/LTR) high performance black only  
Color: Approx. 1800 pages, with ink tank replacements

**Ink Tank Life**

High performance black cartridge with integrated ink tank  
900 pages at 5% coverage  
Color ink tanks (Black or CMY)  
100 pages at 7.5% coverage





## Environmental

**Acoustic Noise Level**      Approx. 45 dB (reference level)

**Temperature**                      59–86°F (15–30°C)

**Humidity**                              10–80% (no condensation)







## Electrical

### **Electrical Requirements**

AC power adapter

U.S./Japan: 102-132 VAC, 60 Hz

UK/Australia: 204-264 VAC, 50 Hz

Europe: 196-253 VAC, 50 Hz

Japan: 85-110 VAC, 50,60 Hz

### **Power Consumption**

20 W maximum





## Physical

### **Dimensions**

Height: 8.3 in. (211 mm)

Width: 14.4 in. (365 mm)

Depth: 9.2 in. (234 mm)

### **Weight**

6.9 lb (3.2 kg)





# Troubleshooting

---

## Color StyleWriter 2500





## General

The Symptom Charts included in this chapter will help you diagnose specific symptoms related to your product. Because cures are listed on the charts in the order of most likely solution, try the first cure first. Verify whether or not the product continues to exhibit the symptom. If the symptom persists, try the next cure. (Note: If you have replaced a module, reinstall the original module before you proceed to the next cure.)

If you are not sure what the problem is, or if the Symptom Charts do not resolve the problem, refer to the Flowchart for the product family.

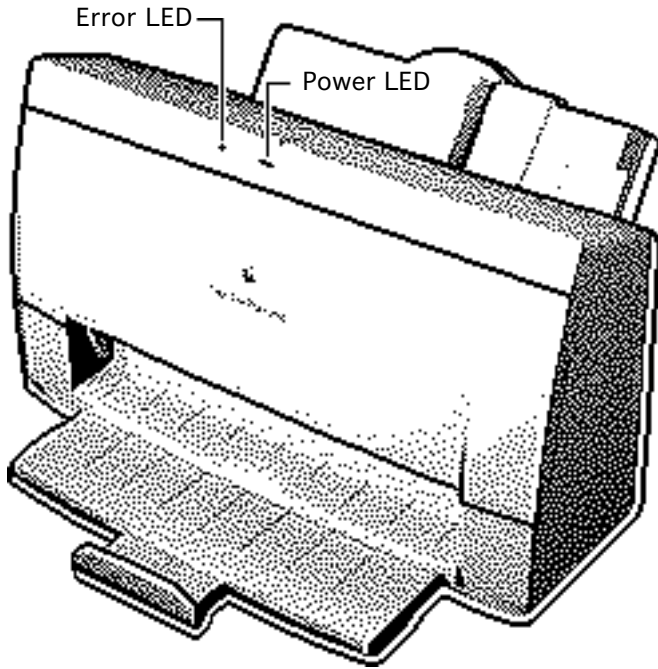
For additional assistance, contact Apple Technical Support.





## Error Messages and LEDs

The Color StyleWriter 2500 has two LEDs that can aid in troubleshooting the printer: error LED and power LED.





The printer software also gives error messages to pinpoint errors.

Make sure the printer is hooked up to a Macintosh and that the Color StyleWriter 2500 software is installed. See the Diagnostics folder on the Service Source CD for the printer driver.



**The Color StyleWriter 2500 Ink Cartridge is missing or not installed correctly. Insert the cartridge properly, then click Continue.**

**\$060B**





The LEDs indicate the state of the printer or whether an error has occurred (e.g., carriage control error, paper jam).

The following chart provides a summary of error codes and printer states. If an error is indicated, check the chart, then go to “Error LEDs” in the Symptom Charts.

Software Error Message (from printer driver)	LEDs		Symptom (see Symptom Charts)
	Error	Power	
Out of paper			Paper pickup error
Paper jam			Paper jam
Ink cartridge jam			Carriage control error
Obstruction, clear and try again			Cleaning error
Check connector and try again			Temperature sensor error
Cartridge not installed properly			Cartridge error
Check connectors and try again			ROM/RAM error
Waste ink absorbers full			Waste ink full error
Cartridge needs to be replaced			Head temperature error
Cartridge needs to be replaced			Head temperature sensor error

LED Legend:		OFF		ON		BLINKING
-------------	--	-----	--	----	--	----------



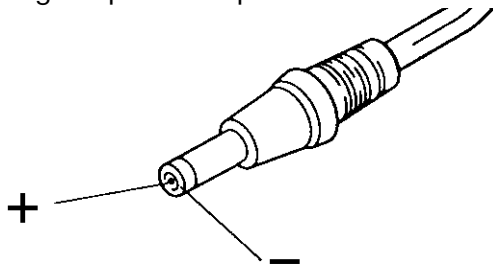


# Symptom Charts

## Operation

No power

- 1 Check power cable connections.
- 2 Replace power cord.
- 3 Check voltage of power adapter.



- 4 If there is no voltage, replace the power adapter.
- 5 If the voltage is within the specified range, replace the logic board.







Does not print

- 1 Turn on printer and restart computer.
- 2 Check interface cable connections.
- 3 Open Chooser and verify that correct printer driver and port is selected.
- 4 Replace printer driver.

Carriage unit does not move to center when front door is open, and printer is on

- 1 Make sure black latch on upper left corner of front door engages button on logic board. See “Front Covers” topic in Take Apart for additional information.
- 2 Replace logic board.

Carriage unit moves back and forth for five minutes

Print job was canceled during a purge. Turn printer off, then back on.





Printer will not print  
with LocalTalk option  
installed

- 1 Turn on printer and restart computer.
- 2 Check interface cable connections.
- 3 Open Chooser and verify that correct printer driver and port are selected.
- 4 Replace printer driver.
- 5 Check that printer is functional by printing a test page.
- 6 Try printing directly through serial port.
- 7 Replace LocalTalk module.





## Paper

Paper sticks together

- 1 Remove excess sheets from paper tray.
- 2 Use only specified paper, envelopes, transparencies, and backprint film.
- 3 Check that settings in Page Setup menu are correct.
- 4 Fan paper before putting it in paper tray.

Paper skews

- 1 Remove excess sheets from paper tray.
- 2 Use only specified paper, envelopes, transparencies, and backprint film.
- 3 Stack paper flush against left side of paper tray and adjust paper guide.
- 4 Check rollers on sheet feeder and eject roller. Clean or replace if necessary.





Paper jams during loading, before printing

Carefully remove paper by hand.

Paper jams inside printer

Carefully pull out paper in direction of paper output.

Paper jams during output, after printing

- 1 Carefully pull out paper in direction of paper output.
- 2 Check eject roller for obstructions or damage, and clean or replace if necessary.





## Print Quality

Missing dots and/or white streaks

- 1 Perform “Nozzle Check” and “Print Head Cleaning.” See Additional Procedures chapter.
- 2 Make sure ink cartridges are set firmly.
- 3 Use only specified paper, envelopes, transparencies, and backprint film.
- 4 Replace ink cartridge. See Additional Procedures chapter.
- 5 Replace logic board.

Blurring and/or smudging

- 1 Use only specified paper, envelopes, transparencies, and backprint film.
- 2 Perform “Print Head Cleaning.” See Additional Procedures chapter.
- 3 Replace ink cartridge. See Additional Procedures chapter.

Missing dots followed by a blob of ink

Before printing, switch print quality to “Best” in printer driver.





Vertical lines are distorted/wavy	Open and close blue lever next to cartridge to make sure cartridge is seated properly.
Poor image at bottom of page	Increase margin at bottom of page to at least 0.8 inch.
Dark streaks or ink stains when Color PhotoGrade ink cartridge used	Move internal paper selector to Envelope position (leaves more space between print head and paper surface).
QuickDraw GX does not work when Color PhotoGrade ink cartridge used	Disable QuickDraw GX before printing with Color PhotoGrade Print Kit. The PhotoGrade Updater software does not support QuickDraw GX.





## Error LEDs

Paper pickup error	<ol style="list-style-type: none"><li>1 Add paper.</li><li>2 Use only specified paper, envelopes, transparencies, and backprint film.</li><li>3 Check that settings in Page Setup menu are correct.</li><li>4 Fan paper before putting it in paper tray.</li></ol>
Paper jam	Check eject roller for obstructions or damage, and clean or replace if necessary.
Carriage control error	Check eject roller for obstructions or damage, and clean or replace if necessary.
Cleaning error	Check eject roller for obstructions or damage, and clean or replace if necessary.





Temperature sensor error	1	Check cable connections.
	2	Replace logic board.
Cartridge error	1	Make sure ink cartridges are set firmly.
	2	Replace ink cartridge.
	3	Replace carriage unit.
ROM/RAM error	1	Check cable connections.
	2	Reinstall printer software.
	3	Replace logic board.
Waste ink full error		Replace ink absorbers.
Head temperature error		Replace ink cartridge.
Head temperature sensor error		Replace ink cartridge.



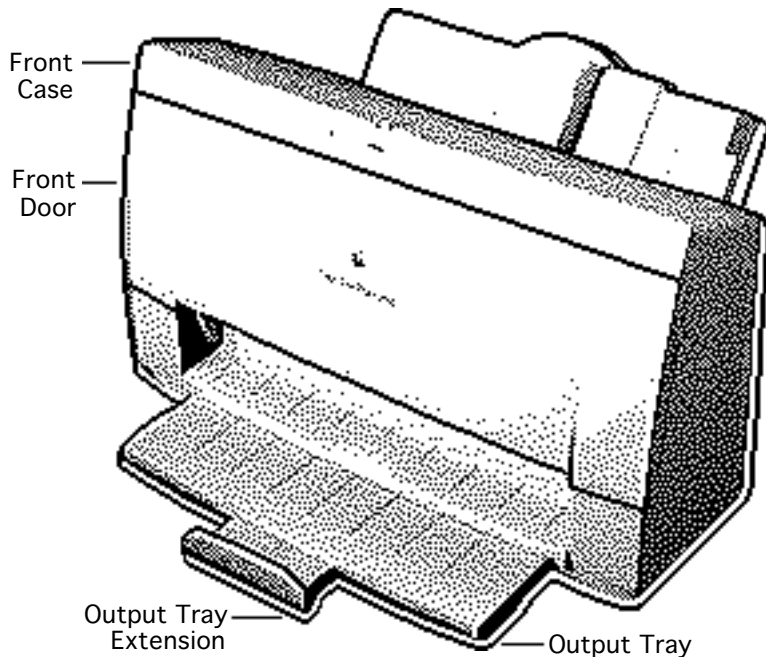




Take Apart

Color StyleWriter 2500





## Front Covers

No preliminary steps are required before you begin this procedure.

**Note:** The “Front Covers” topic includes the front door, front case, output tray, and output tray extension.

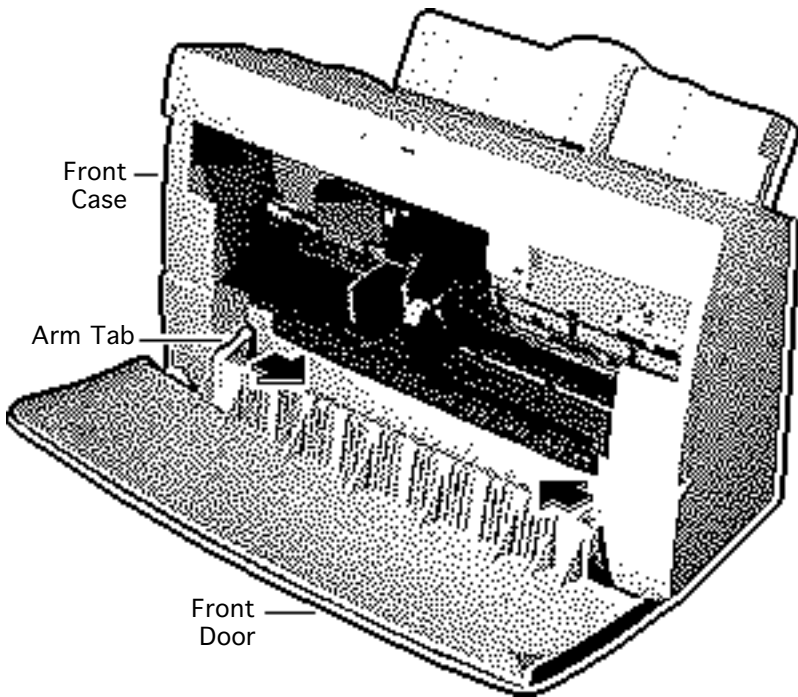


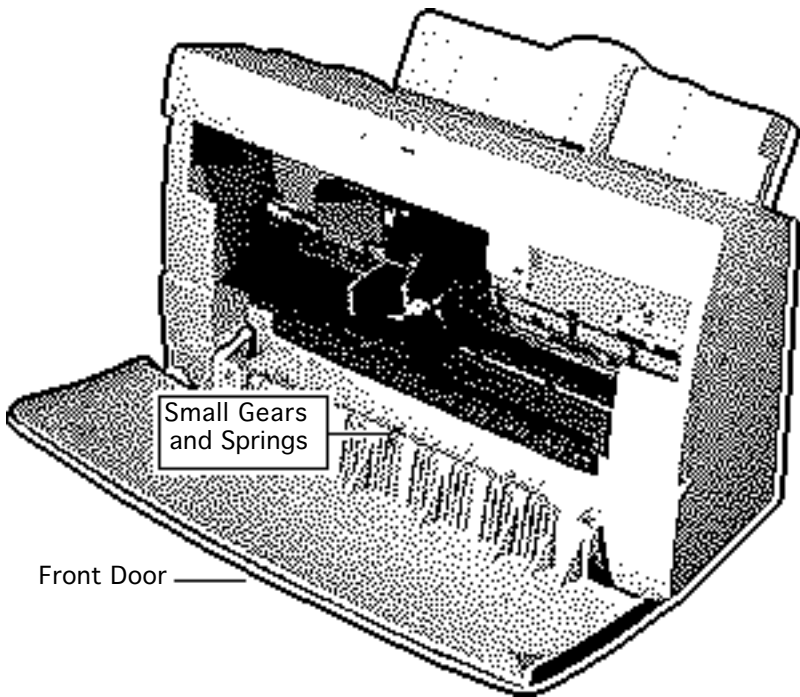


## Front Door

**Note:** The front door is held in place by two arms that function as hinges. Plastic tabs at the end of the arms fit into knobs on the inside of the upper case.

- 1 Swing open the front door.
- 2 Press the end of each arm inward and free the arm tabs from the front case.
- 3 Lift off the front door.





**Replacement Note:** The small gears and springs in the front door fall out of position if a paper jam is forcibly removed from the printer. These gears and springs are not available as service replacement parts.

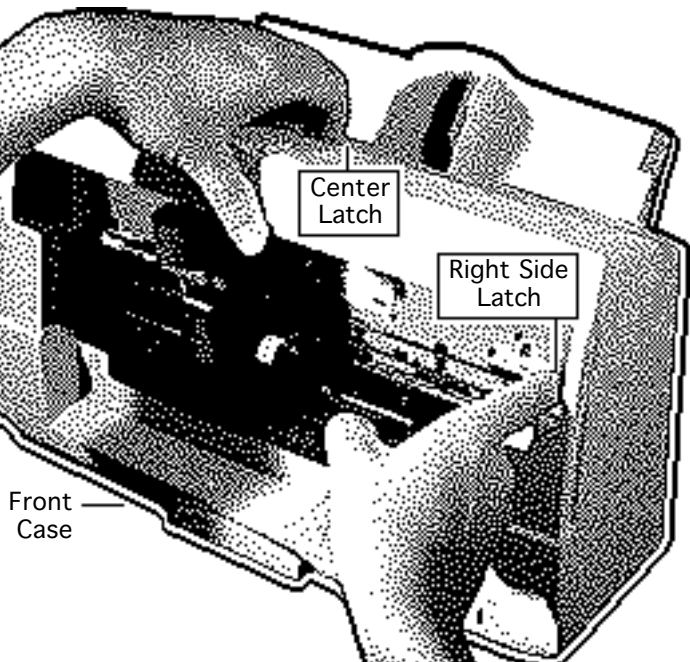
See the “Small Gear Replacement” topic in Additional Procedures.





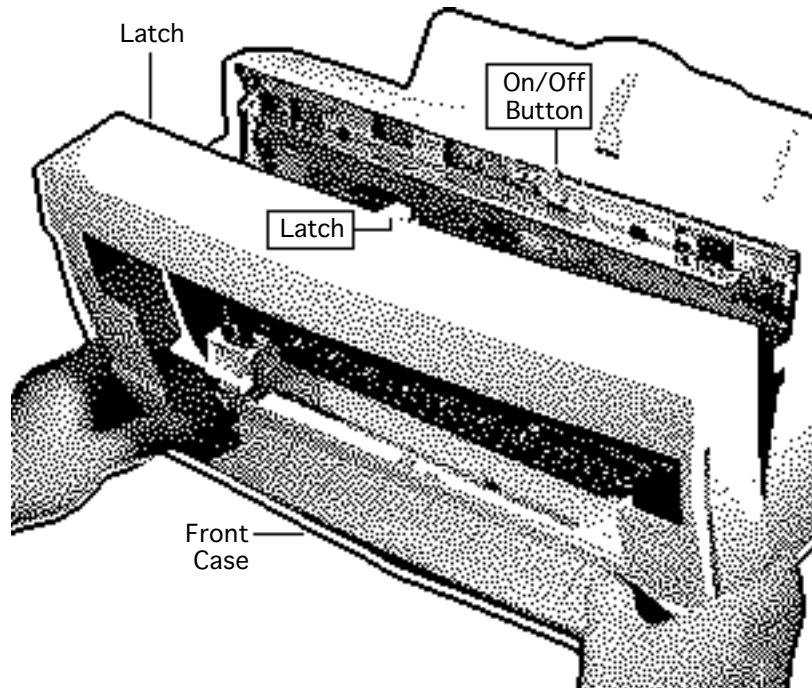
## Front Case

- 1 Lift the center of the case to release the center latch on the front case.
- 2 Release the right side latch and pull the front case forward a short distance.
- 3 Repeat for the left side latch and remove the case.





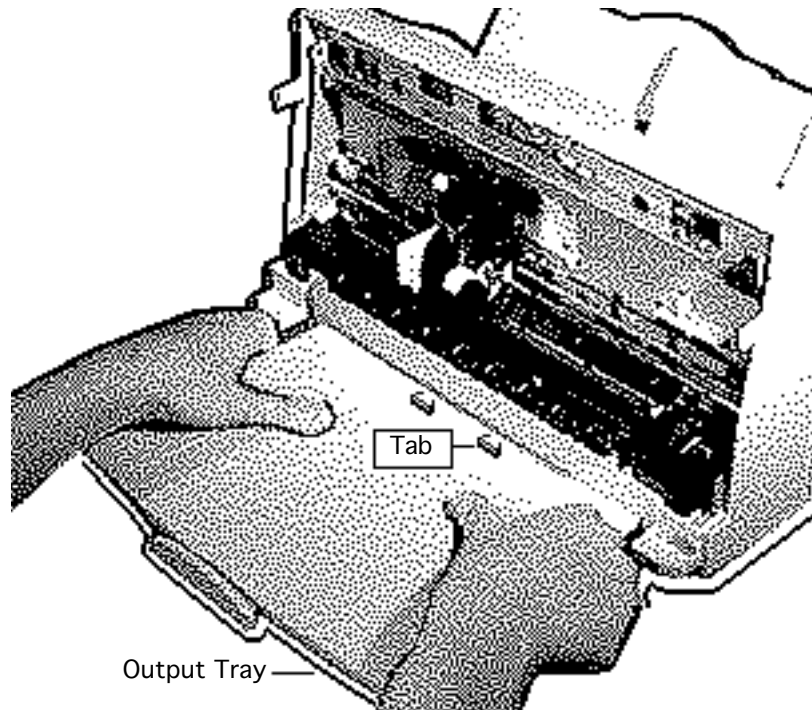
**Replacement Note:** Make sure the latches on the front case engage the buttons on the logic board.





## Output Tray

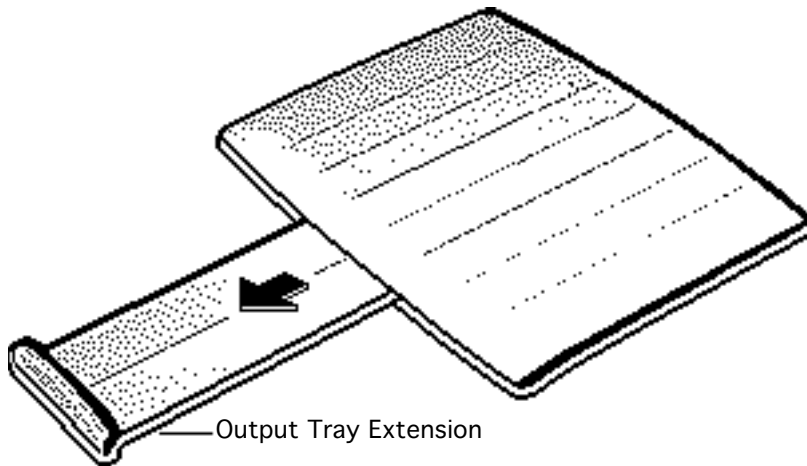
- 1 Pull out the output tray until the two tabs rest against the stops on the bottom case.
- 2 Press down and remove the tray.





## Output Tray Extension

- 1 Pull out the tray extension until the two tabs rest against the stops.
- 2 Press down and remove the tray extension.

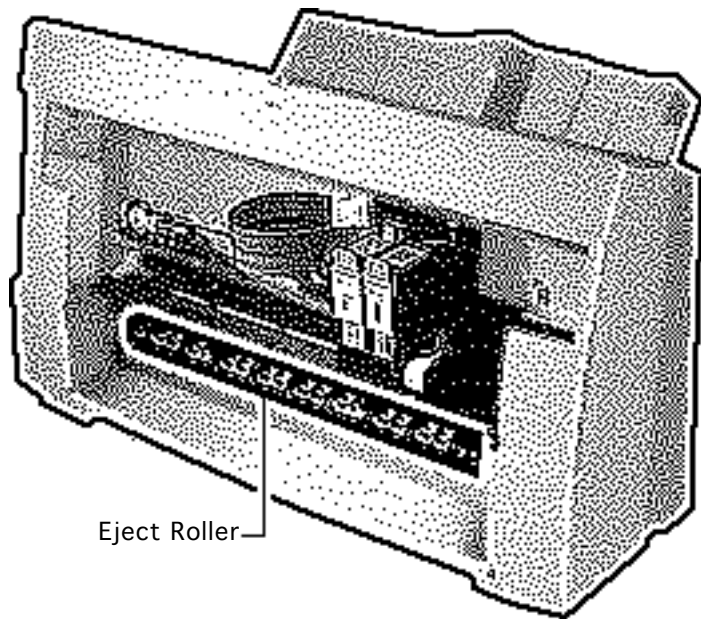






## Eject Roller

Before you begin, remove the covers (see “Front Door”).

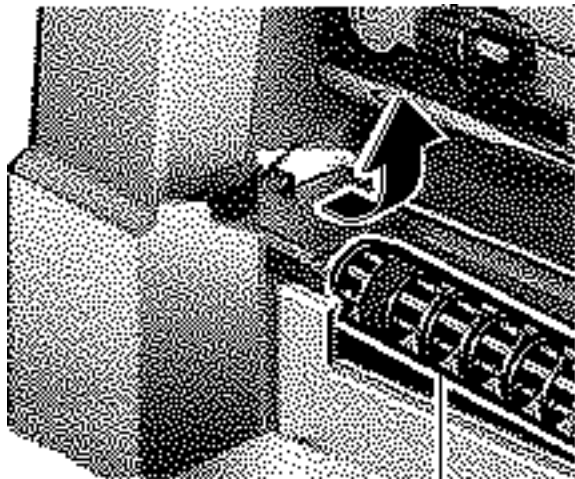


Eject Roller





Grasp one end of the roller, press the bracket to the side, and remove the eject roller from the printer.

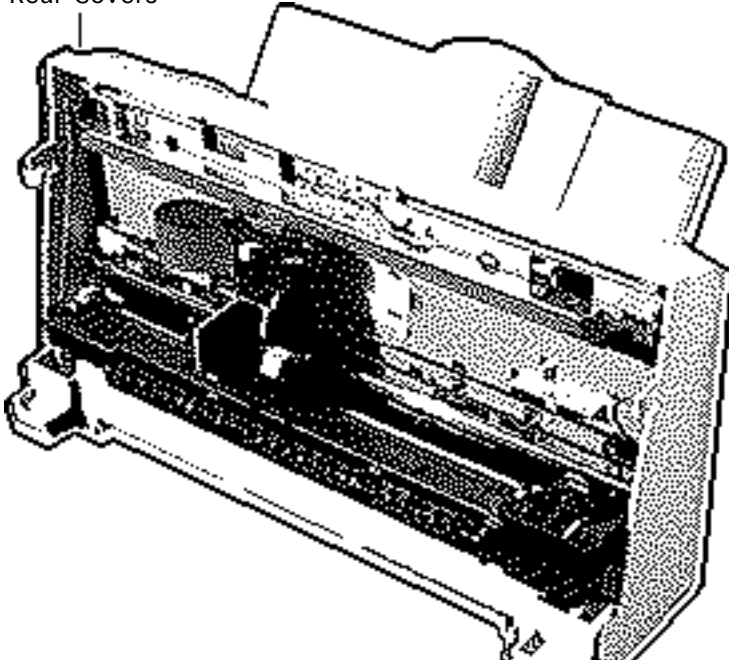


Eject Roller





Rear Covers



## Rear Covers

Before you begin, remove the following:

- Front covers
- LocalTalk module (if present)

**Note:** For information on removing the LocalTalk module, see the “LocalTalk Module” topic in the Upgrades chapter.

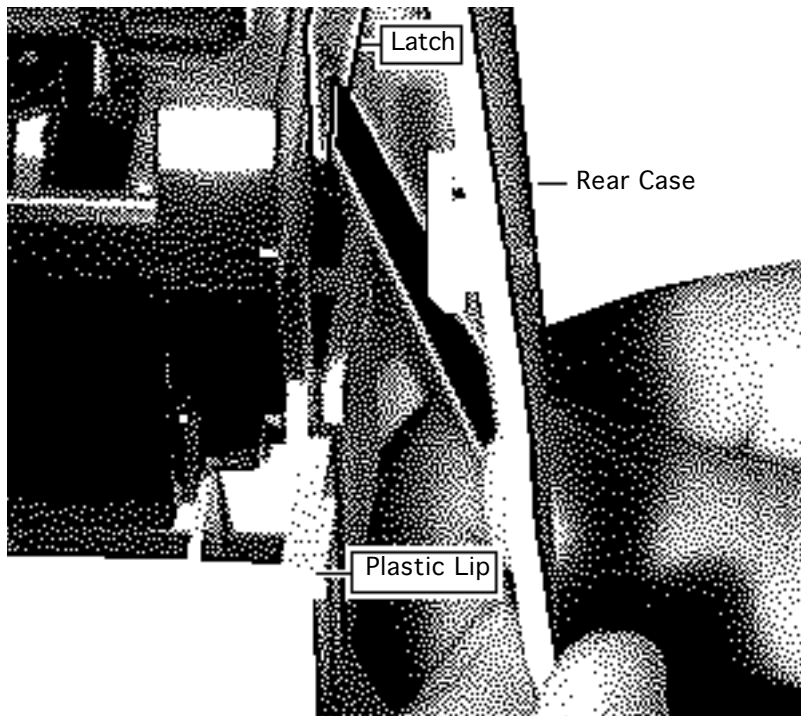
**Note:** The “Rear Covers” topic includes the rear case, interface cover, and logic board cover.





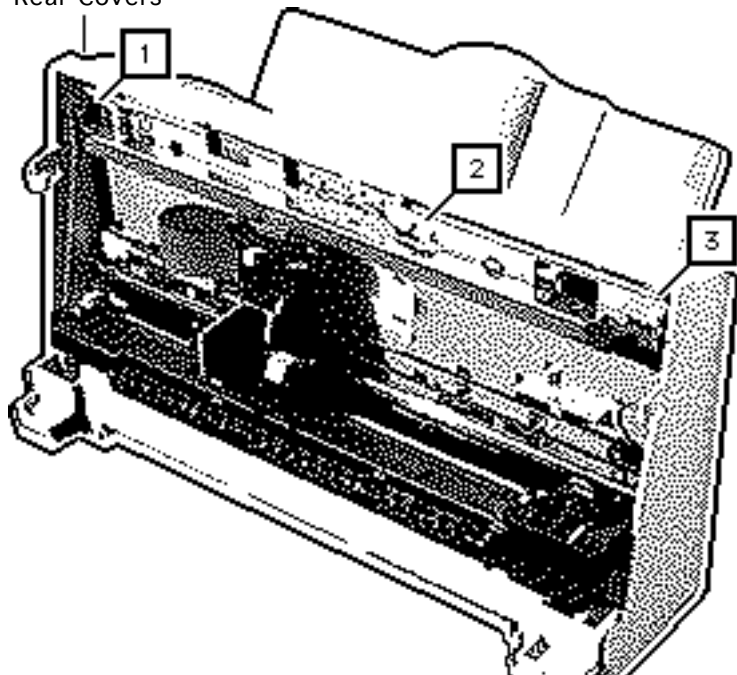
## Rear Case

- 1 Pull out the bottom of the rear case slightly to clear the plastic lip.
- 2 Using a flat-blade screwdriver, release the latch and lift up the rear case.
- 3 Repeat for the other side of the case.





Rear Covers

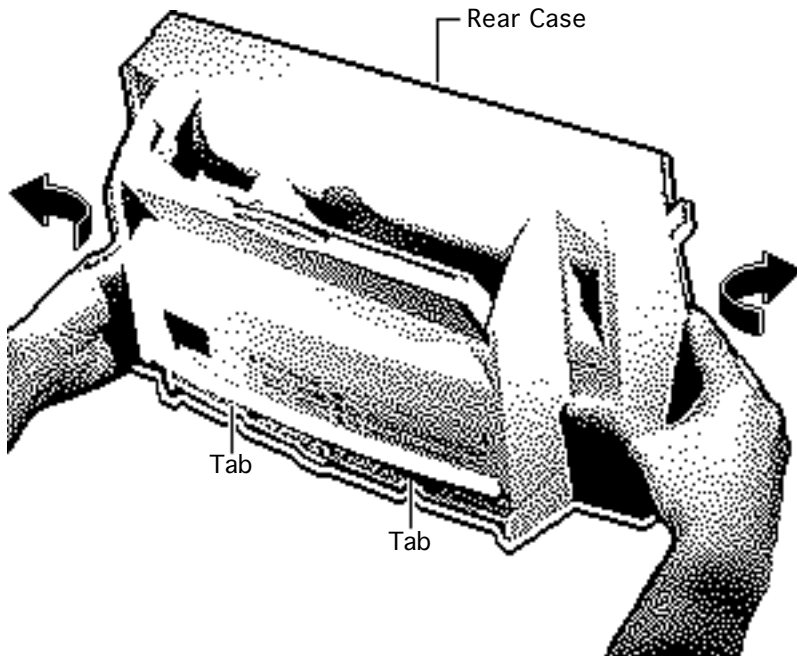


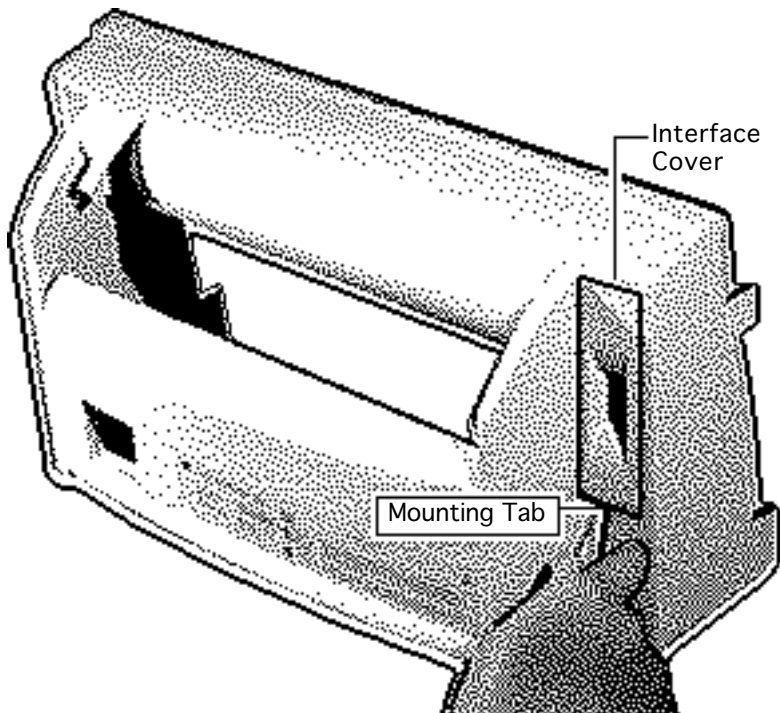
- 4 Release the three latches on the top of the printer.





- 5 Lift up and release the rear case from the two tabs on the back of the printer.
- 6 Remove the rear case.





## Interface Cover

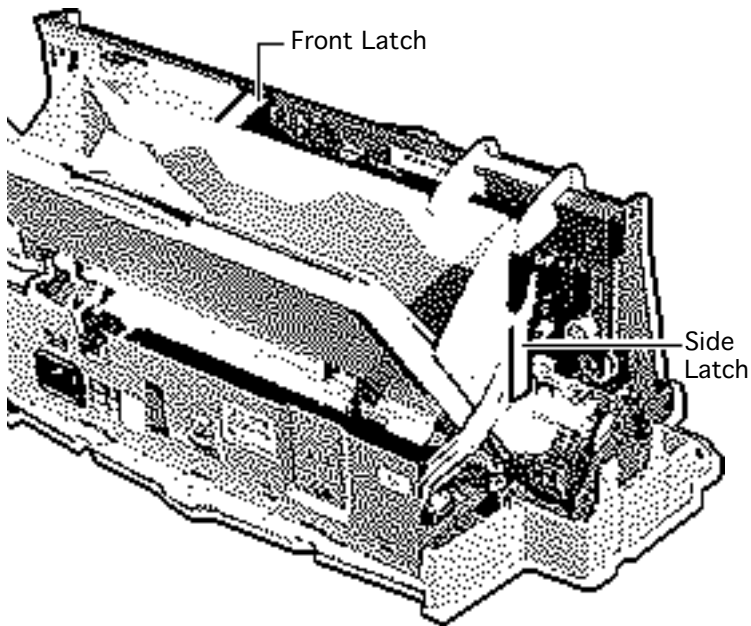
- 1 Using a small flat-blade screwdriver, release the mounting tab and remove the interface cover from the rear case.



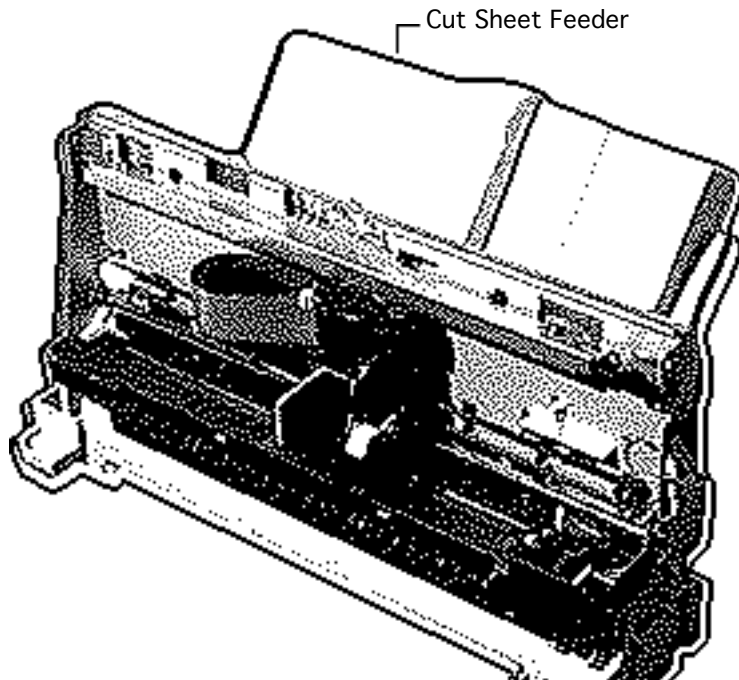


## Logic Board Cover

- 1 Press in the front latch and release the side latch.
- 2 Pull back and remove the logic board cover from the printer.







## Cut Sheet Feeder

Before you begin, remove the following:

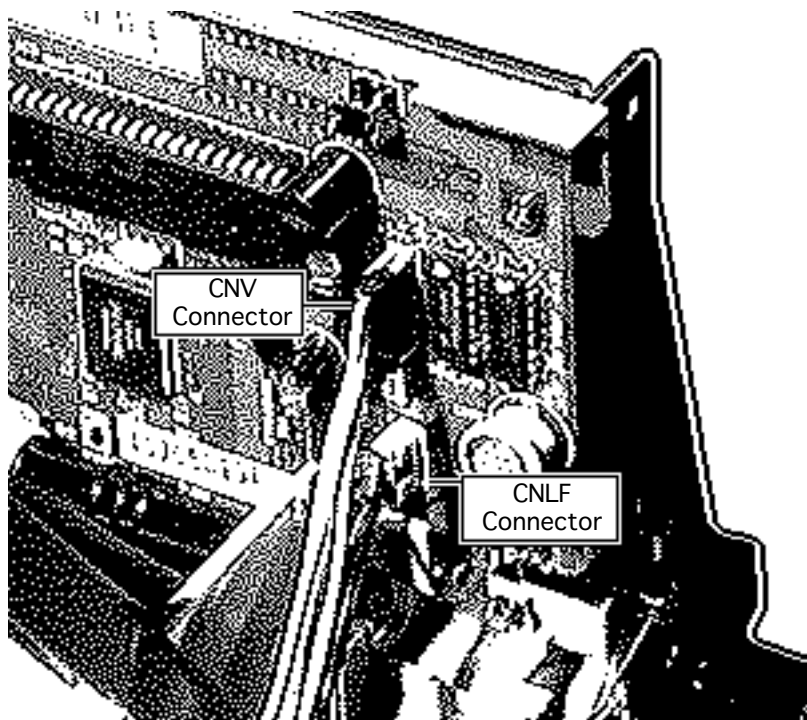
- Front covers
- Rear covers

**Caution:** Review the ESD precautions in Bulletins/Safety.



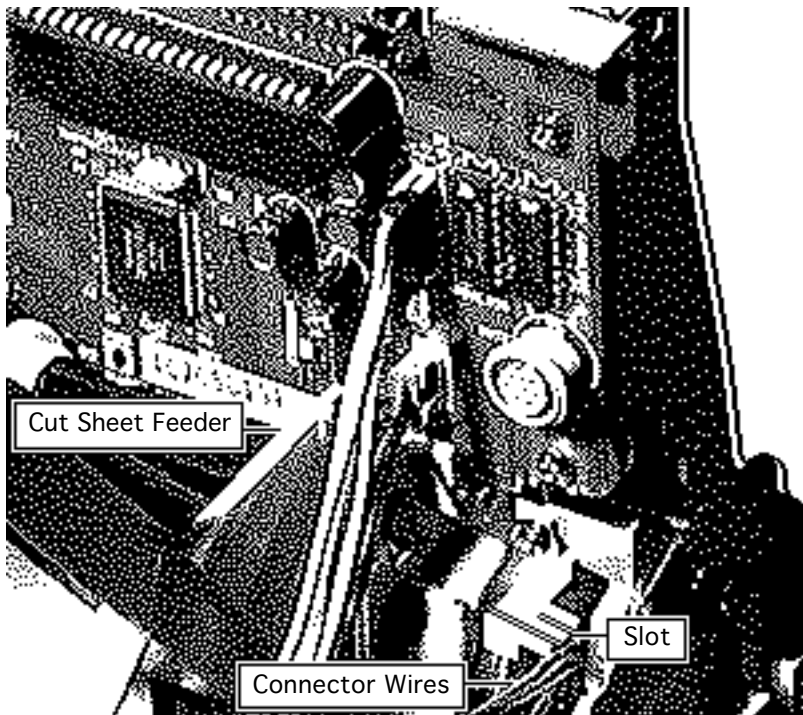


- 1 Disconnect connectors CNV and CNLF from the logic board.



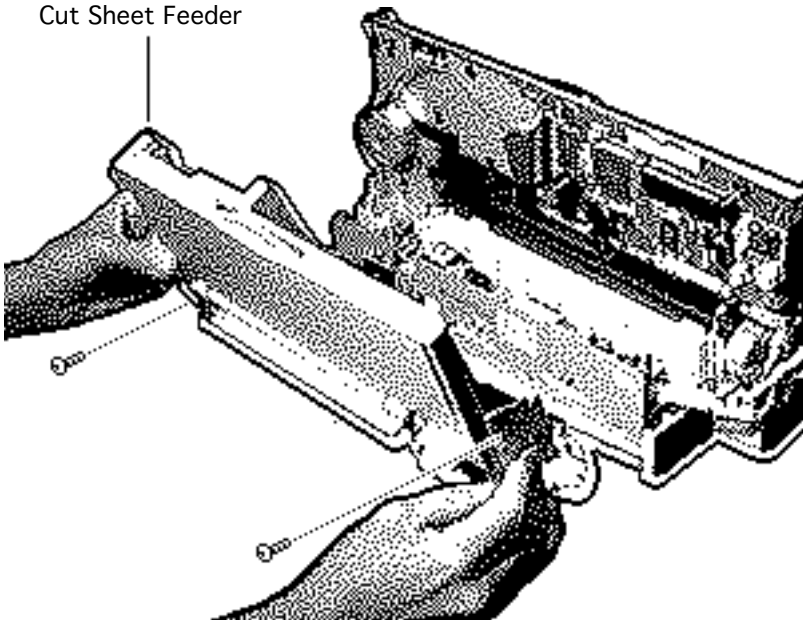


- 2 Remove the connector wires from the slot on the cut sheet feeder.





Cut Sheet Feeder



- 3 **Note:** Make sure the screws do not fall into the bottom cover.

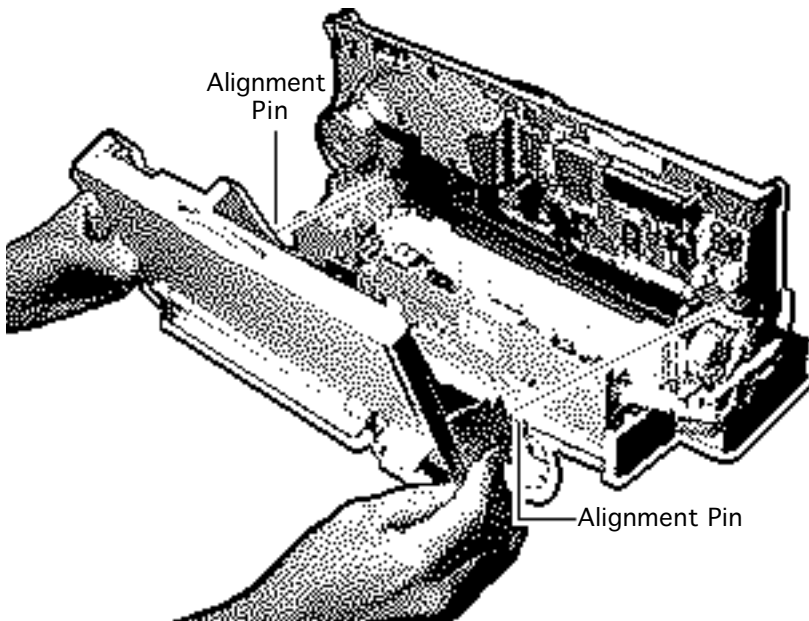
Using a Phillips screwdriver, remove the two screws that secure the cut sheet feeder to the printer.

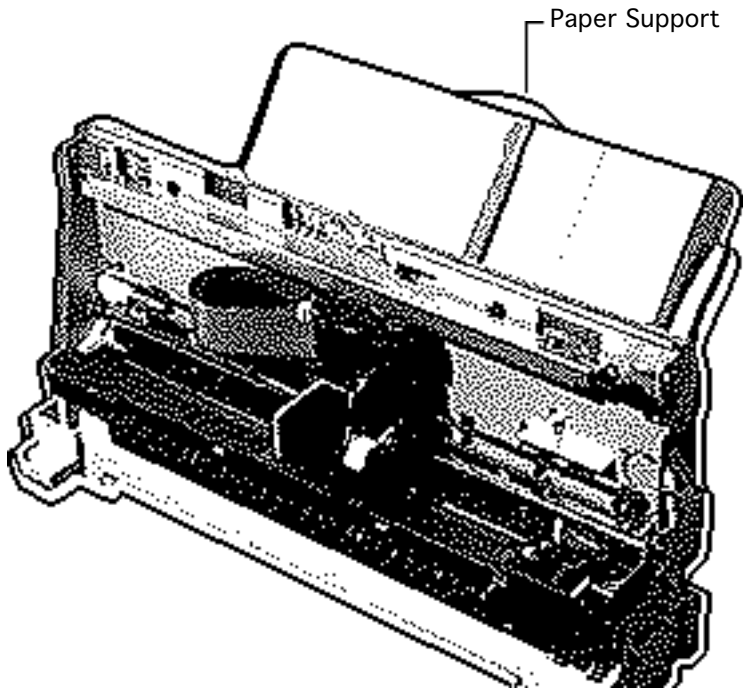
- 4 Press in the latch and remove the cut sheet feeder.





**Replacement Note:** Make sure the alignment pins on the cut sheet feeder are aligned with the printer frame.





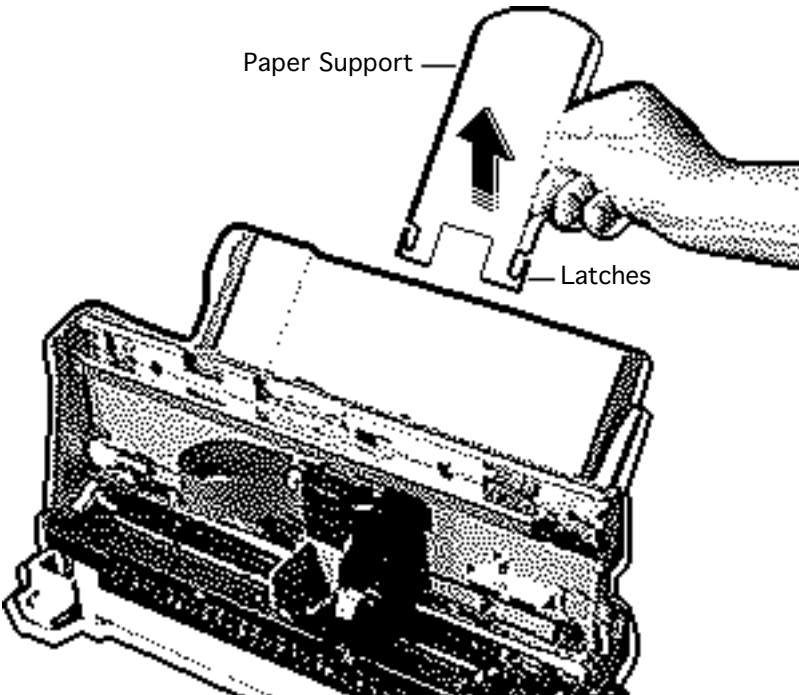
## Paper Support

Before you begin, remove the following:

- Front covers
- Rear covers
- Cut sheet feeder

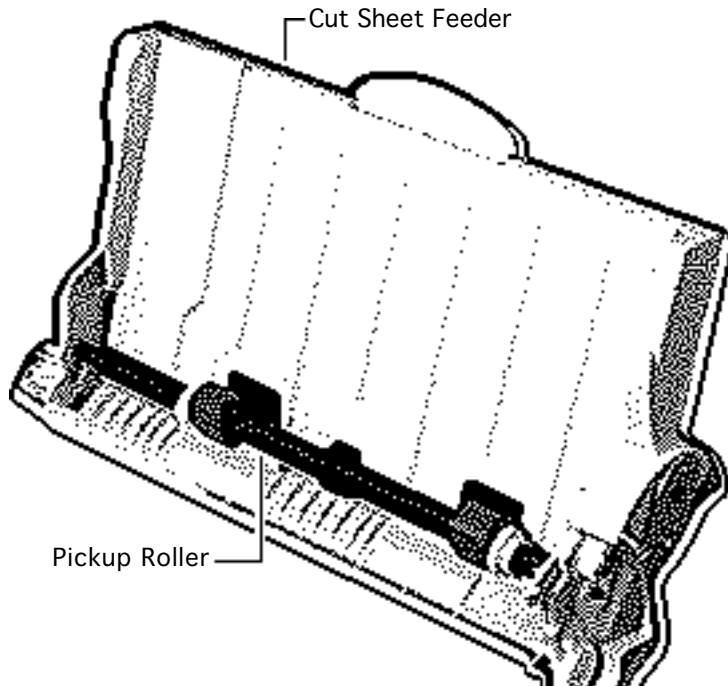
**Caution:** Review the ESD precautions in Bulletins/ Safety.





- 1 Pull out the paper support until it rests against the stops.
- 2 Push the support forward and disconnect the latches.
- 3 Slide out the paper support.





## Pickup Roller

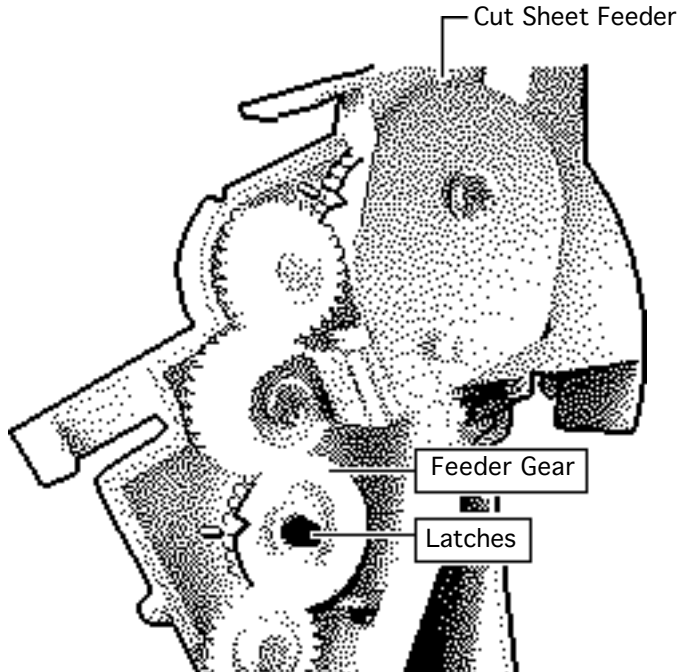
Before you begin, remove the following:

- Front covers
- Rear covers
- Cut sheet feeder

**Caution:** Review the ESD precautions in Bulletins/ Safety.





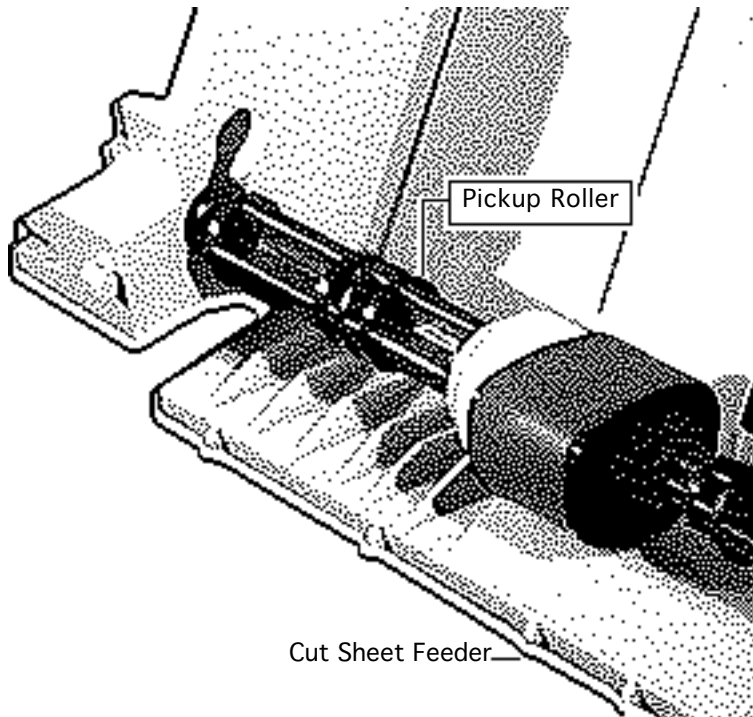


- 1 **Caution:** When the roller is removed, the feeder gear is loose. Remove the roller slowly so that the gear will not fly off.

Press in the two latches on the pickup roller and push out the roller.

- 2 Remove the feeder gear from the cut sheet feeder.



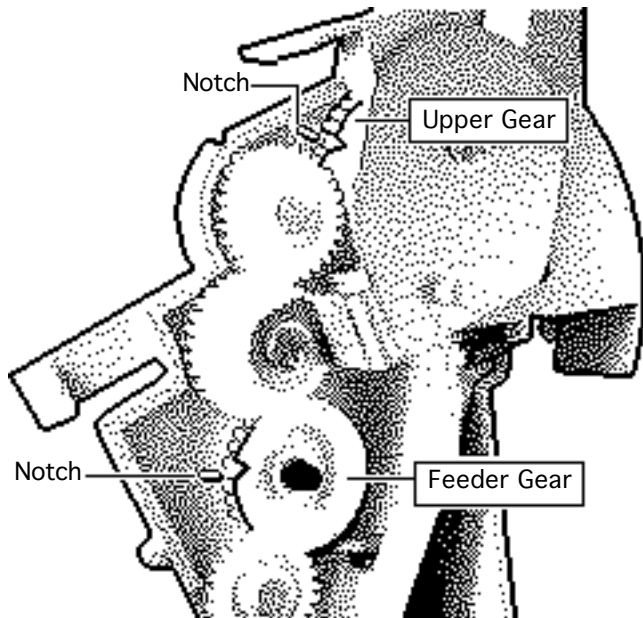


- 3 Lift up one end of the roller and remove the other end from the mounting hole.
- 4 Remove the pickup roller from the cut sheet feeder.



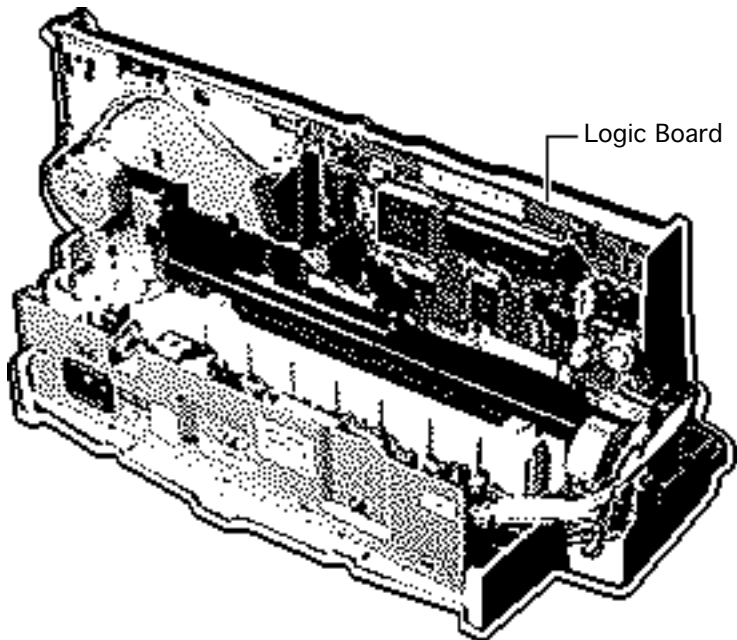


**Replacement Note:** Align the notch on the upper gear with the upper line on the cut sheet feeder. Align the notch on the feeder gear with the lower line on the cut sheet feeder.





## Logic Board

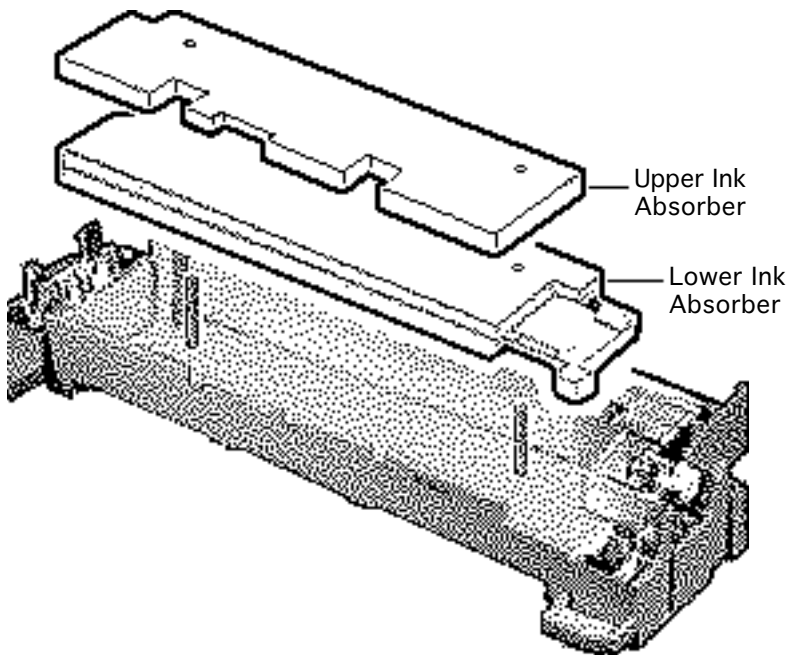


Before you begin, remove the following:

- Front covers
- Rear covers
- Cut sheet feeder

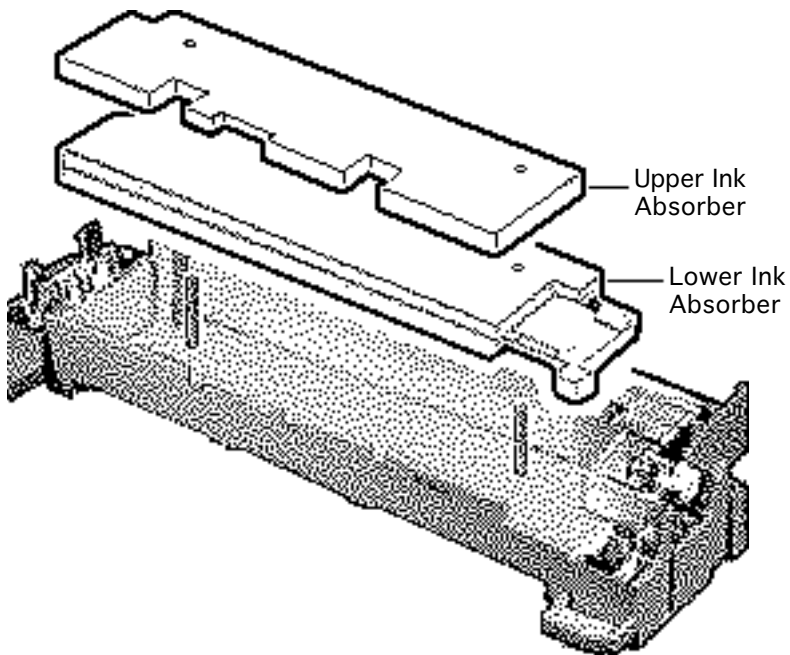
**Caution:** Review the ESD precautions in Bulletins/ Safety.





**Note:** Information on the amount of ink absorbed by the ink absorbers is stored on the logic board EEPROM. When replacing the logic board, check the ink absorbers. If the upper ink absorber has ink in it, replace it. Always replace the lower ink absorber.

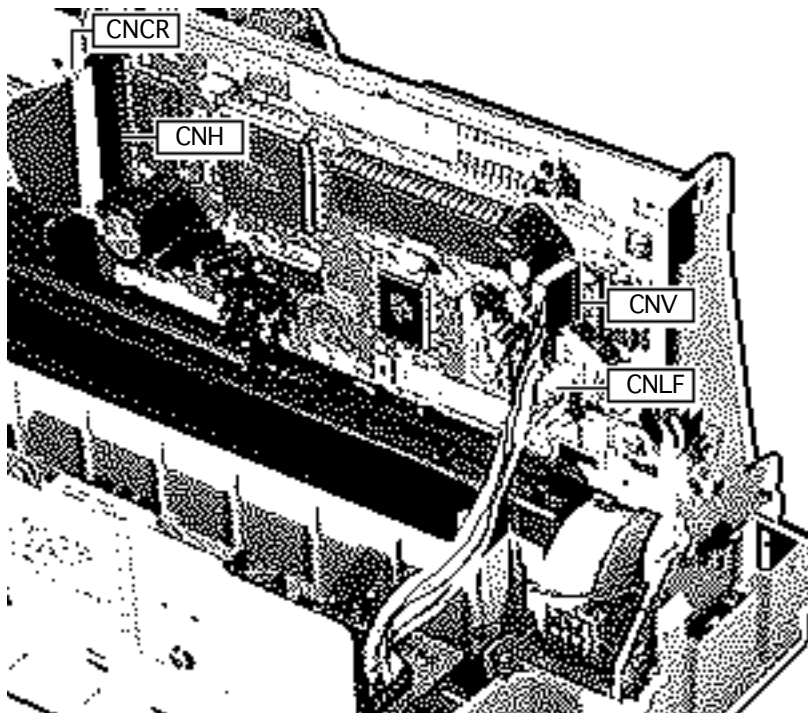




If the ink absorbers have been used for two weeks or less, or if fewer than 50 pages have been printed, it is not necessary to replace the ink absorbers when replacing the logic board.

See “EEPROM Reset” in Additional Procedures for more information.

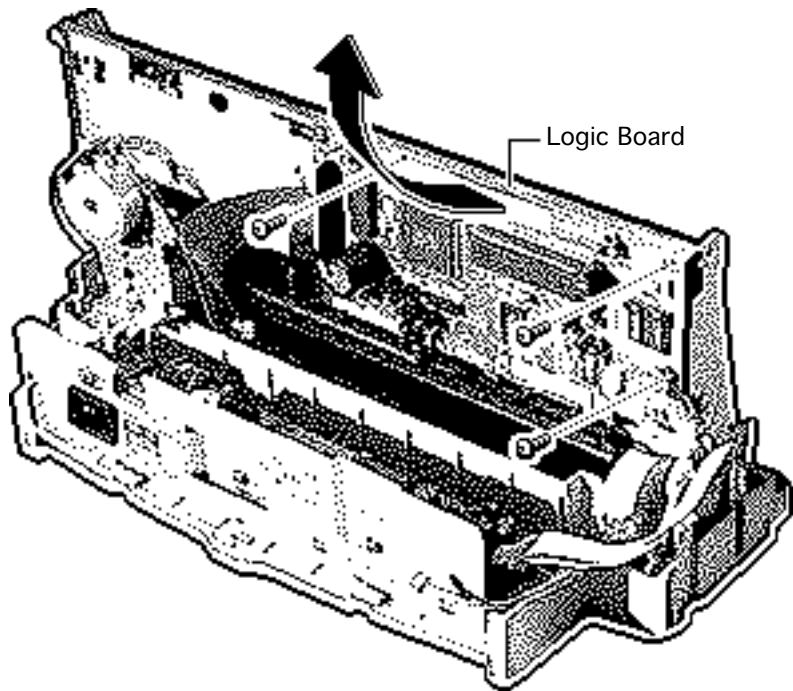




1 Disconnect the following connectors from the logic board:

- CNCR
- CNH
- CNLF
- CNV





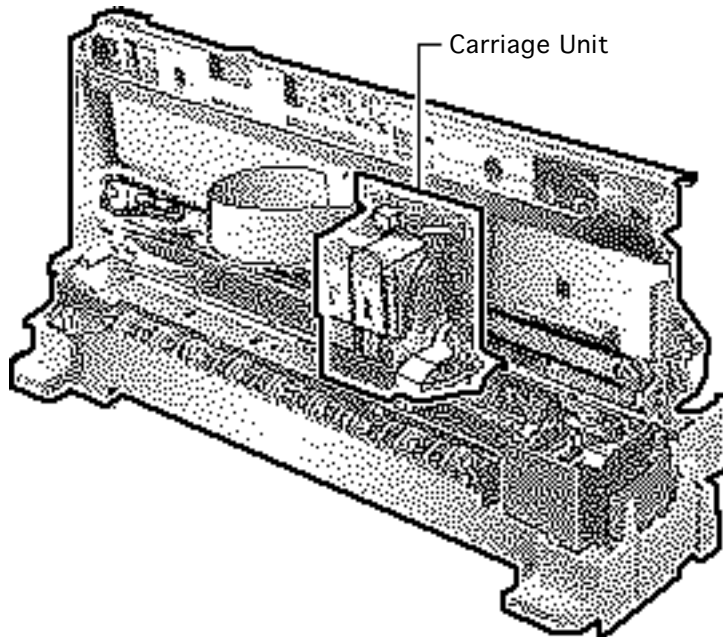
- 2 Using a Phillips screwdriver, remove the three mounting screws.
- 3 Remove the logic board from the printer.







## Carriage Unit



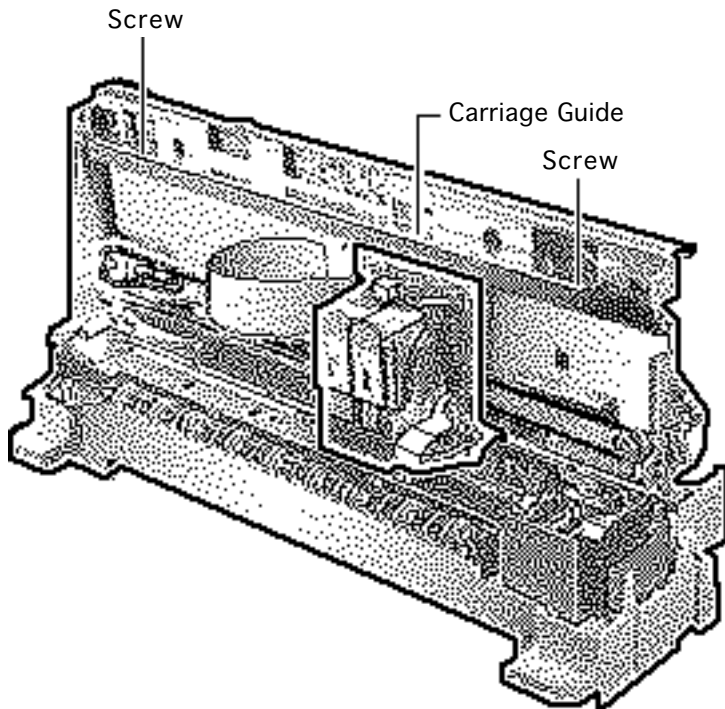
Before you begin, remove the following:

- Front covers
- Rear covers
- Cut sheet feeder

**Caution:** Review the ESD precautions in Bulletins/ Safety.

**Caution:** To prevent the print nozzles from clogging, do not touch or wipe them.



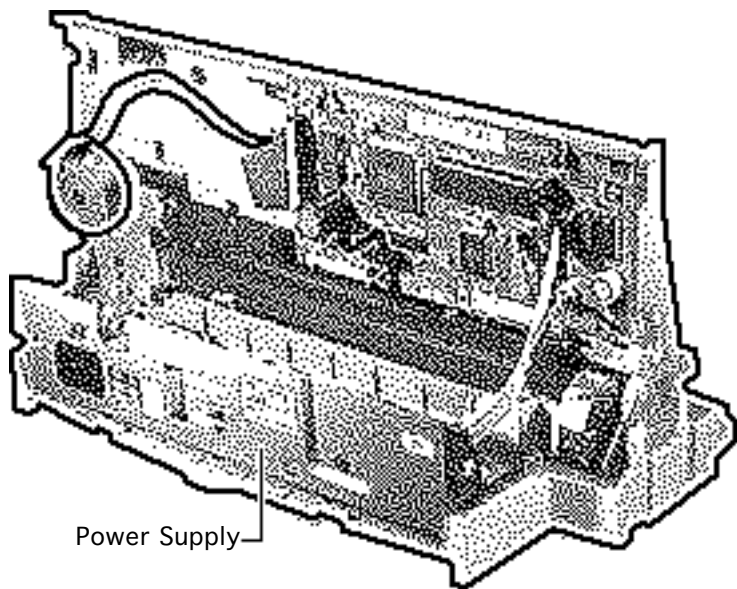


**Caution:** Do not remove or loosen the two screws on top of the carriage guide. Loosening or removing these screws will cause the carriage to go out of alignment.



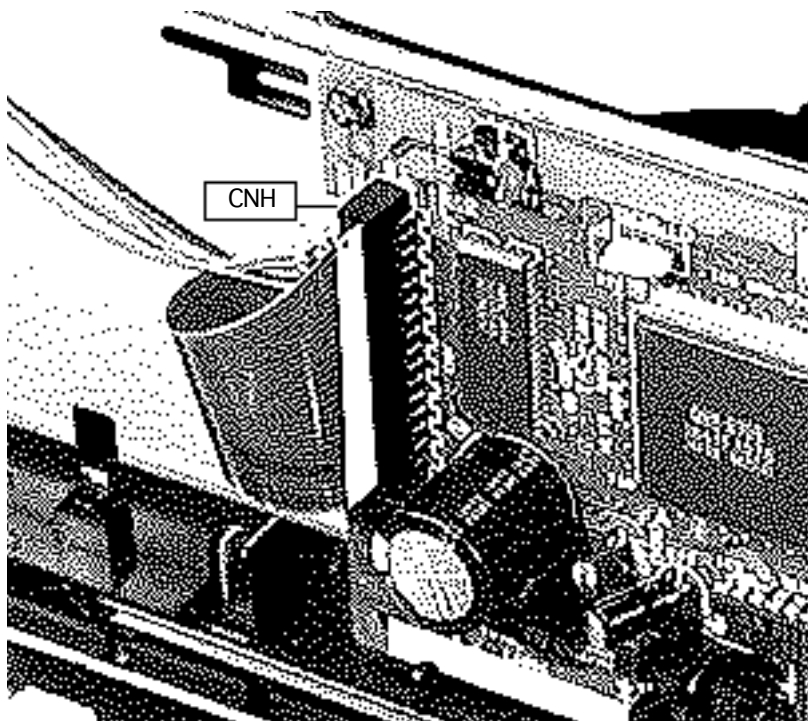


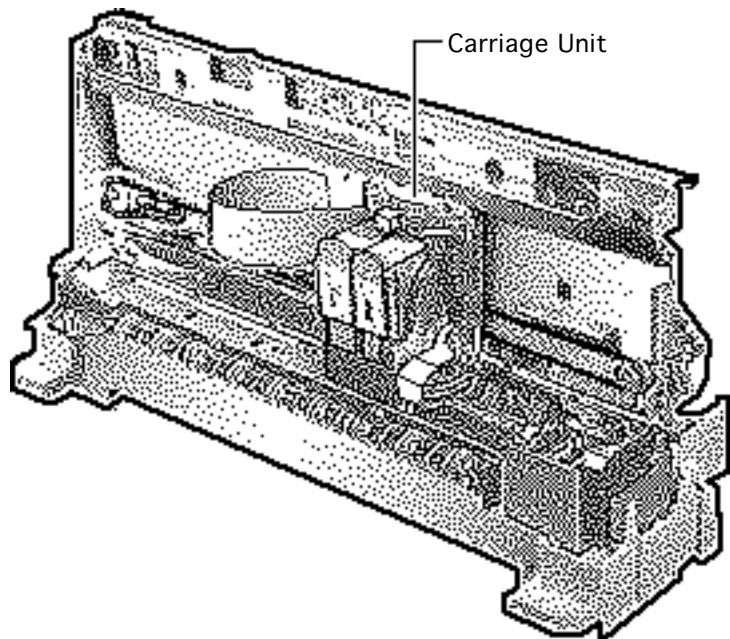
- 1 Turn the printer so that the power supply faces you.





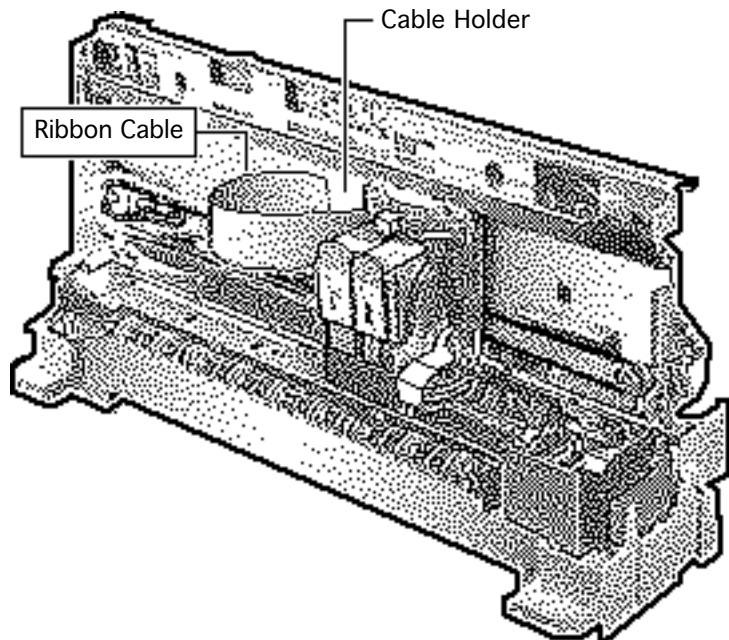
- 2 Disconnect connector CNH from the logic board.





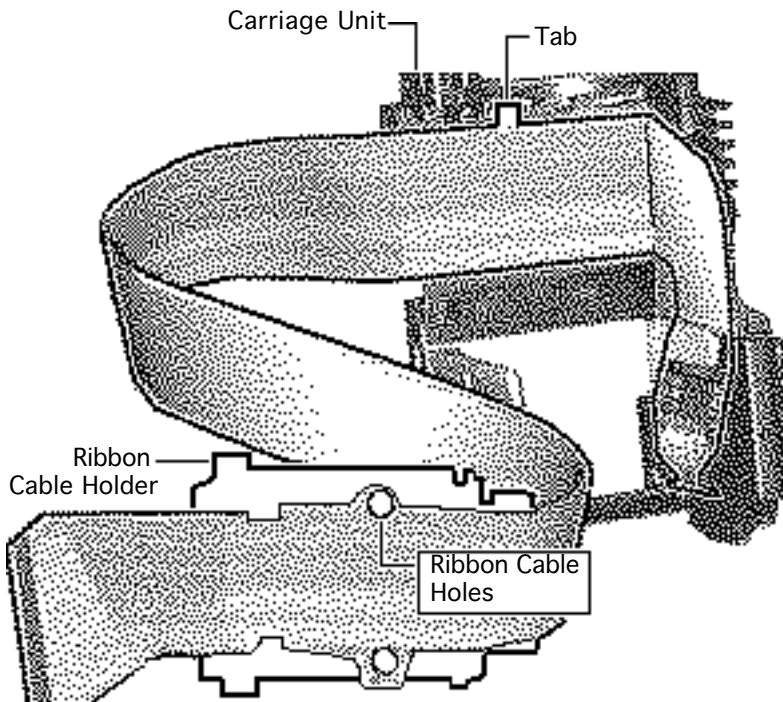
- 3 Turn the printer so that the carriage unit faces you.





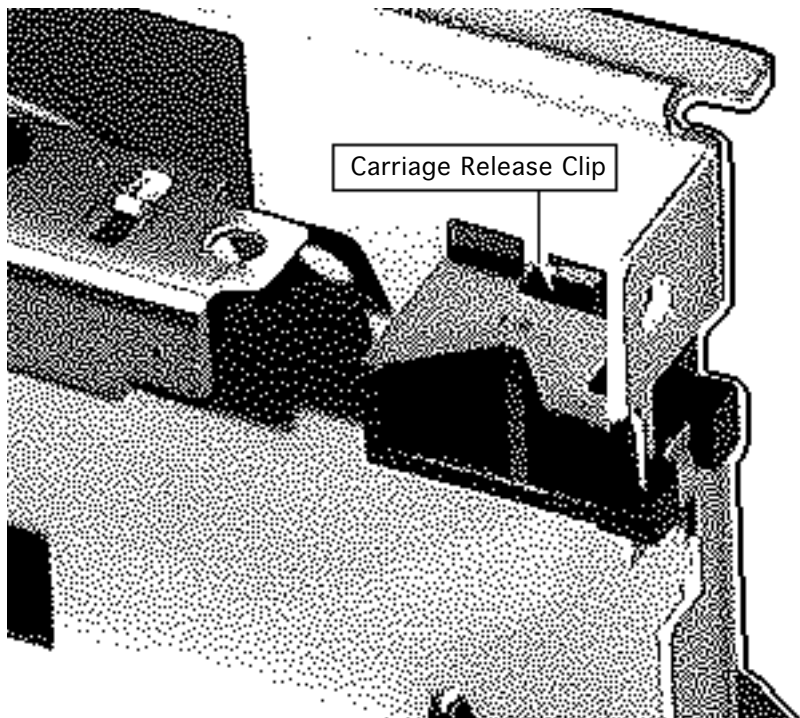
- 4 Remove the plastic ribbon cable and cable holder from the printer.





**Replacement Note:** Make sure the ribbon cable holes are mounted on the two tabs on the inside of the ribbon cable holder and the small tab is in the slot on the carriage unit.





Carriage Release Clip

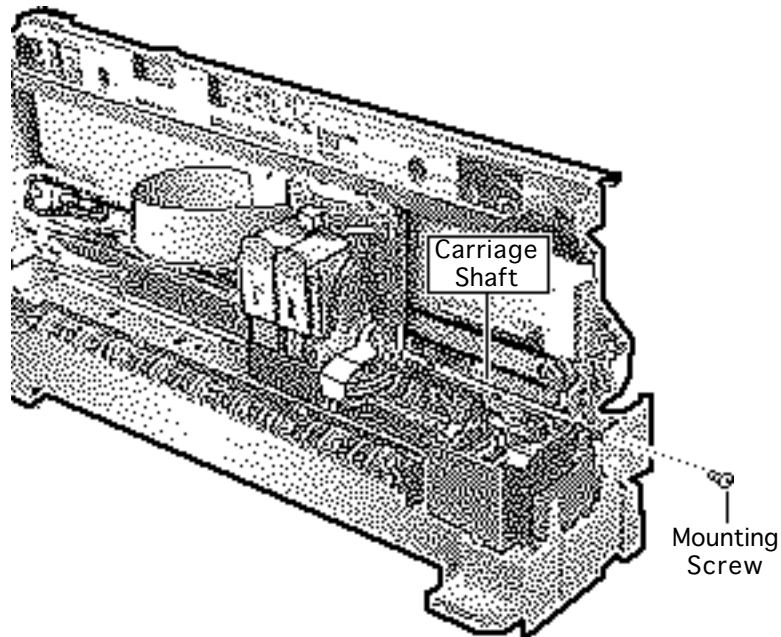
- 5 Press in the two latches.
- 6 Push up and remove the carriage release clip from the printer.





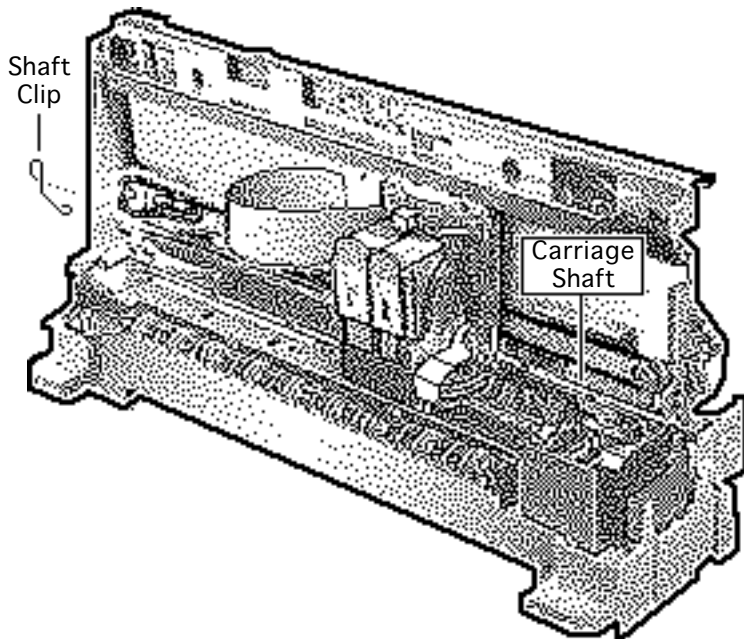


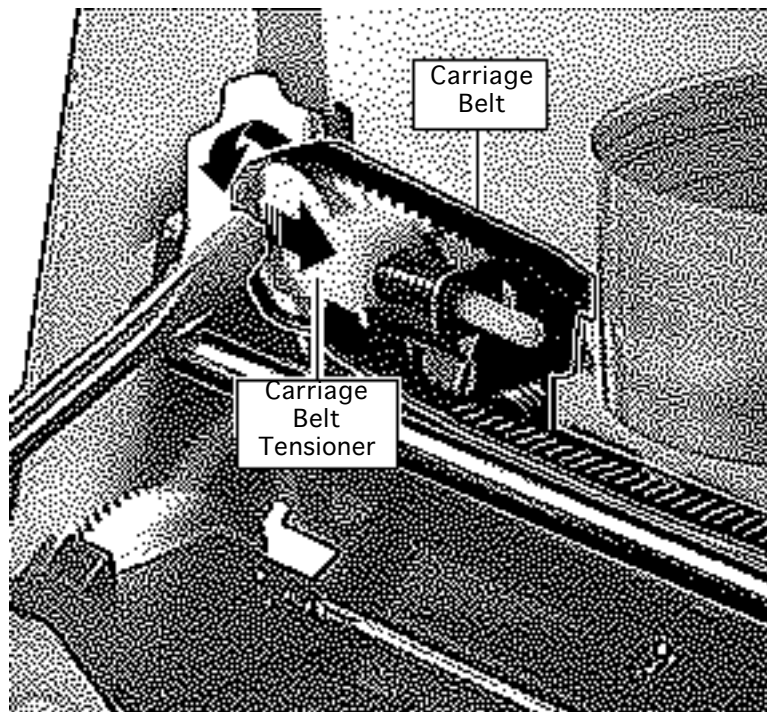
- 7 Using a Phillips screwdriver, remove the mounting screw from the carriage shaft.





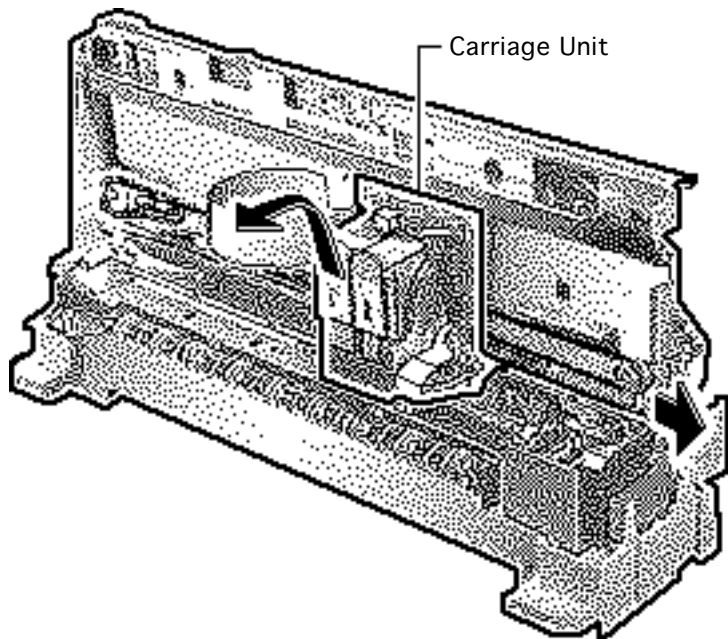
- Carefully remove the shaft clip from the carriage shaft.





- 9 Using a flat-blade screwdriver, carefully press in the carriage belt tensioner and disconnect the carriage belt.

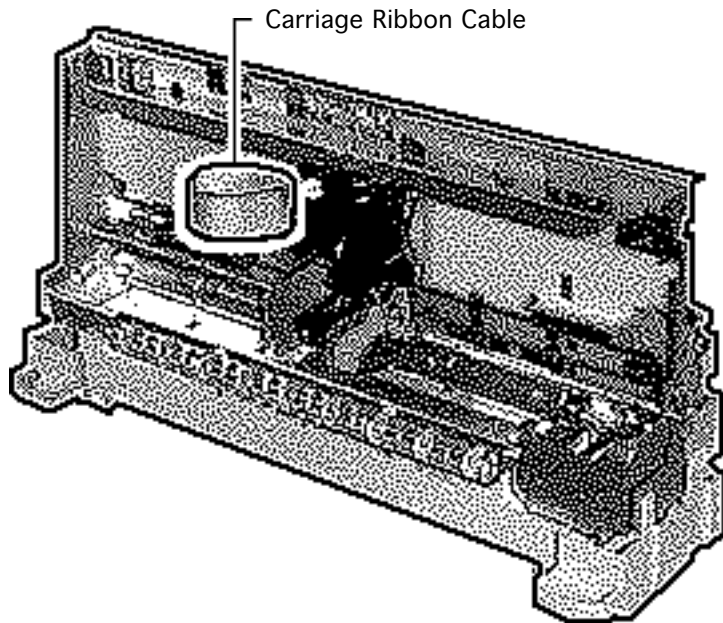




- 10 Hold the carriage unit and slide out the carriage shaft.
- 11 Remove the carriage unit from the printer.

**Replacement Note:** Make sure the carriage unit is reinstalled properly in the printer.





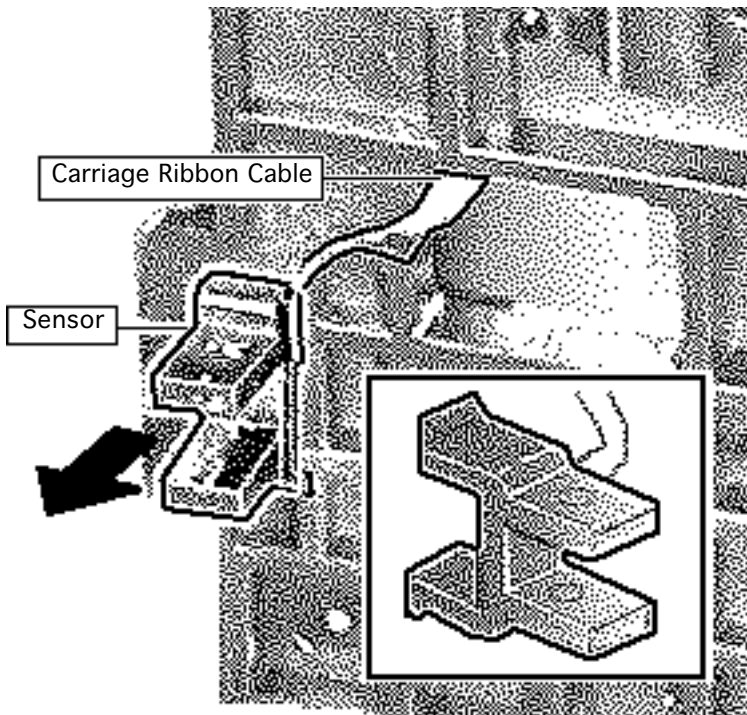
## Carriage Ribbon Cable

Before you begin, remove the following:

- Front covers
- Rear covers
- Cut sheet feeder
- Ink cartridge
- Carriage unit

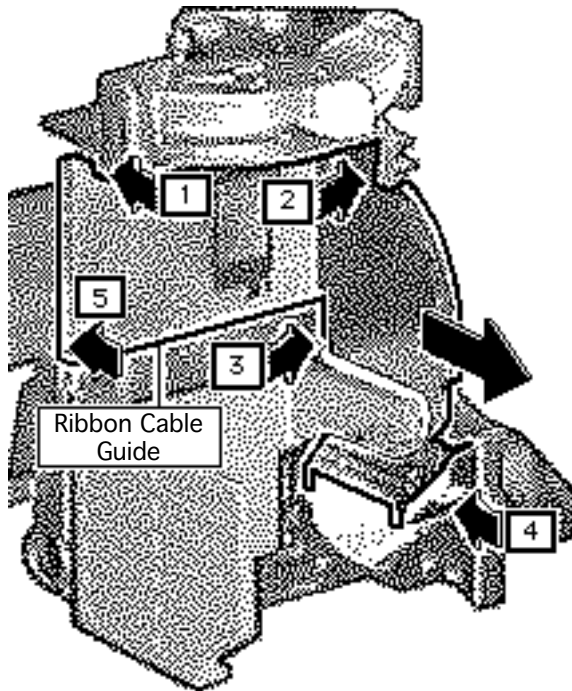
**Caution:** Review the ESD precautions in Bulletins/ Safety.





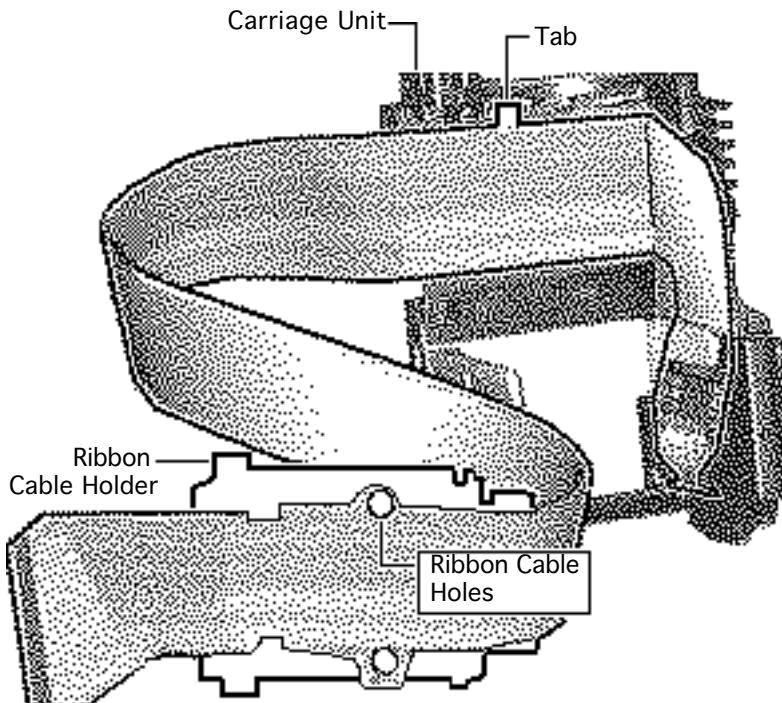
- 1 **Caution:** Carefully remove the sensor to avoid damaging the carriage ribbon cable.  
Remove the sensor from the carriage unit.





- 2 Press in the five latches and remove the ribbon cable guide.



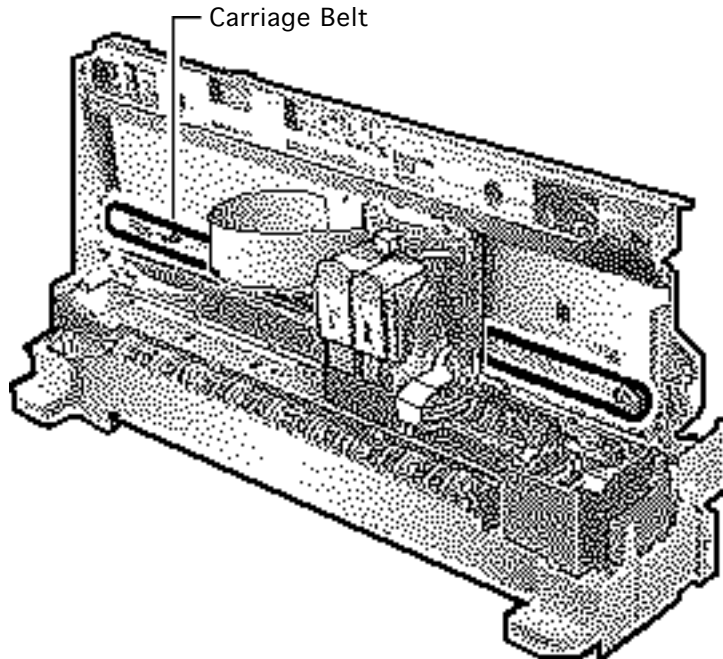


- 3 Remove the ribbon cable from the carriage unit.

**Replacement Note:** Make sure the ribbon cable holes are mounted on the two tabs on the inside of the ribbon cable holder and the small tab is in the slot on the carriage unit.







## Carriage Belt

Before you begin, remove the following:

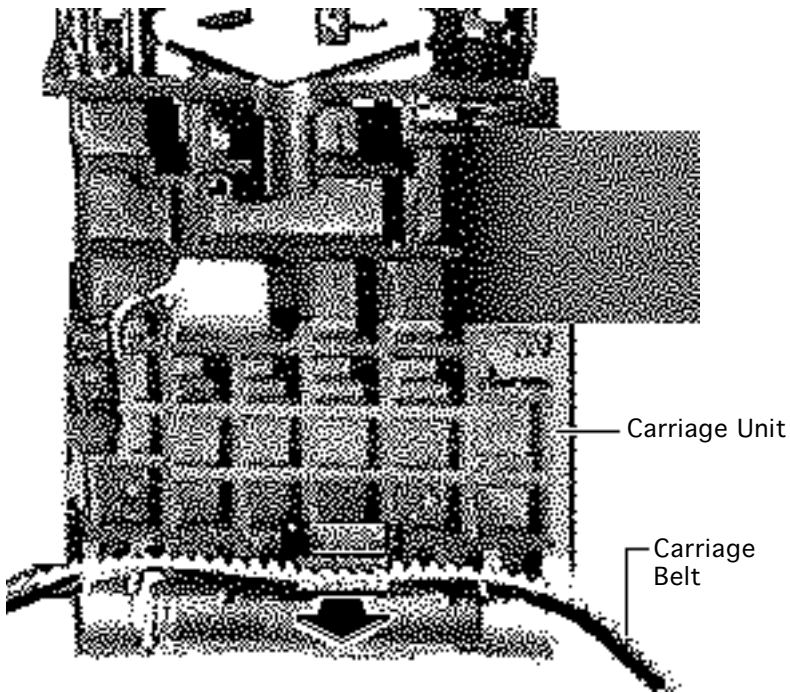
- Front covers
- Rear covers
- Cut sheet feeder
- Ink cartridge
- Carriage unit

**Caution:** Review the ESD precautions in Bulletins/ Safety.





Carefully remove the carriage belt from the carriage unit.



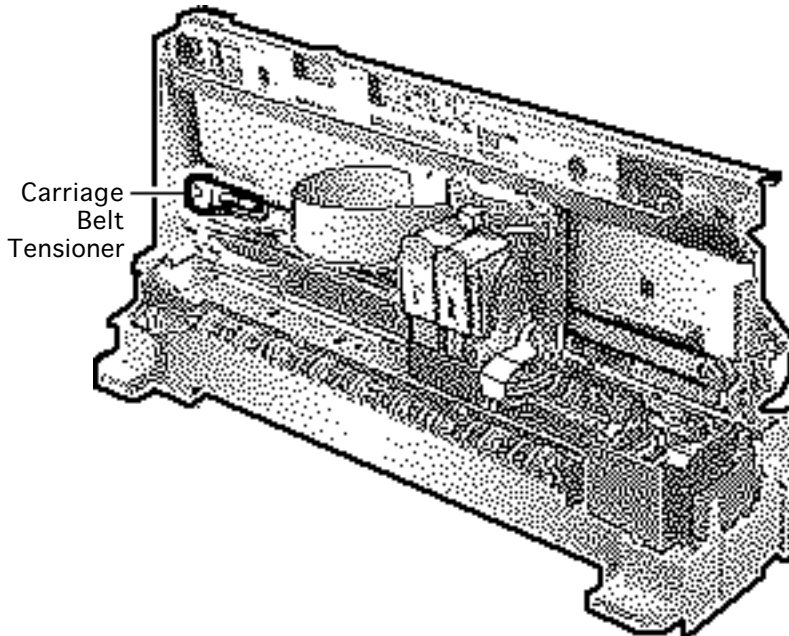


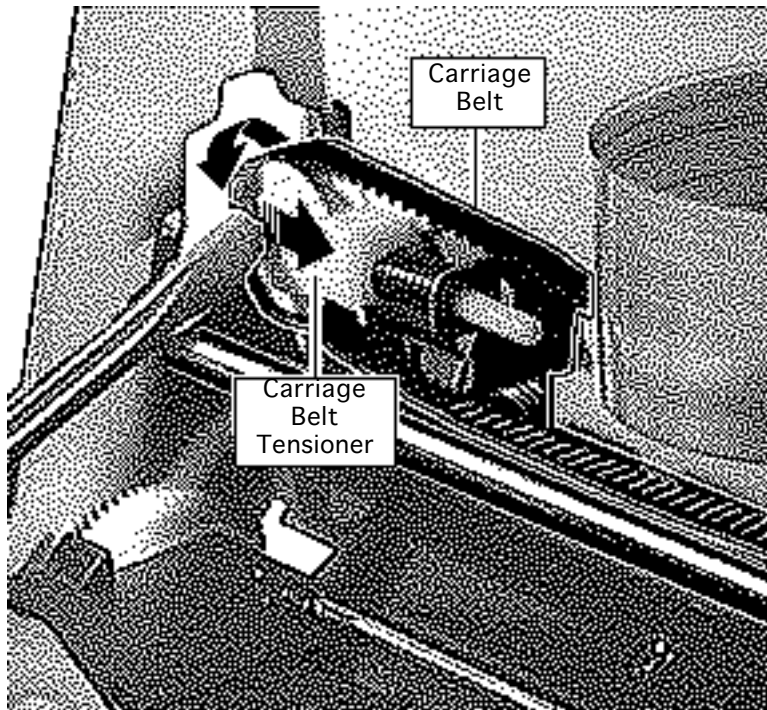
## Carriage Belt Tensioner

Before you begin, remove the following:

- Front covers
- Rear covers
- Cut sheet feeder

**Caution:** Review the ESD precautions in Bulletins/ Safety.



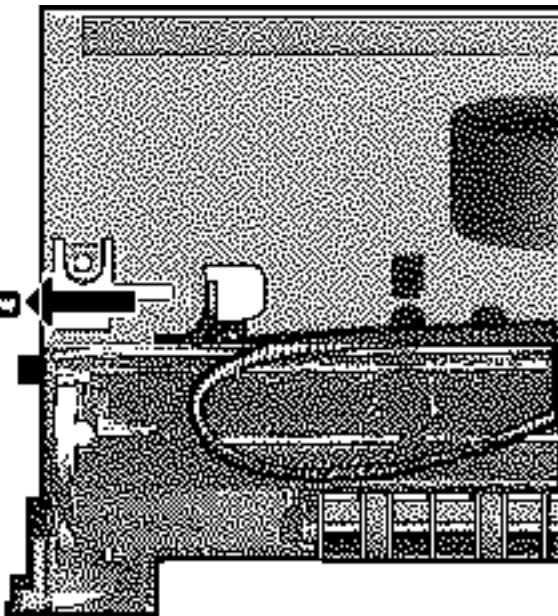
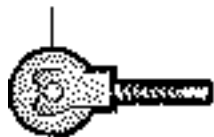


- 1 Using a flat-blade screwdriver, carefully press in the carriage belt tensioner and disconnect the carriage belt.





Carriage  
Belt  
Tensioner



- 2 Slide out the carriage belt tensioner from the printer.



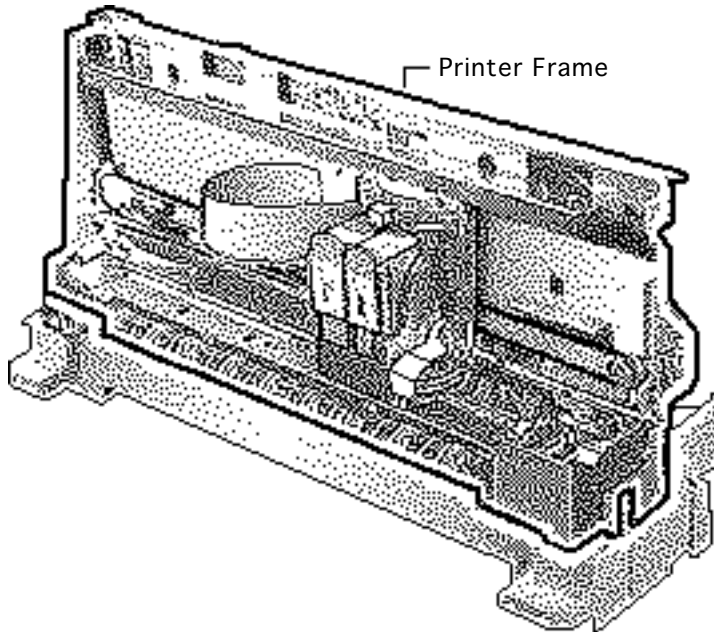


## Printer Frame

Before you begin, remove the following:

- Front covers
- Rear covers
- Cut sheet feeder
- Power supply

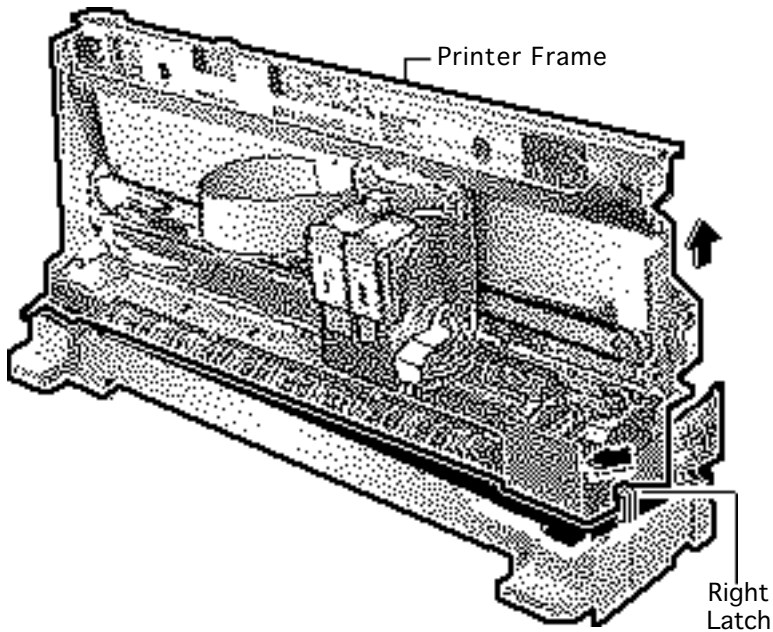
**Caution:** Review the ESD precautions in Bulletins/Safety.

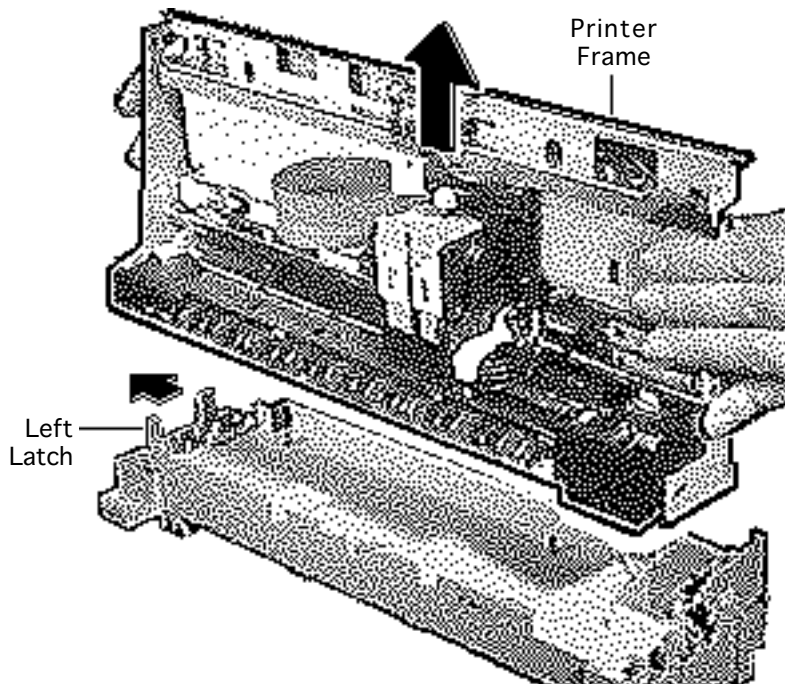




**Note:** The printer frame is not a replaceable part. Remove the frame to access the purge unit, paper feed motor, ink absorbers, and bottom case.

- 1 Release the right latch and lift up the printer frame.

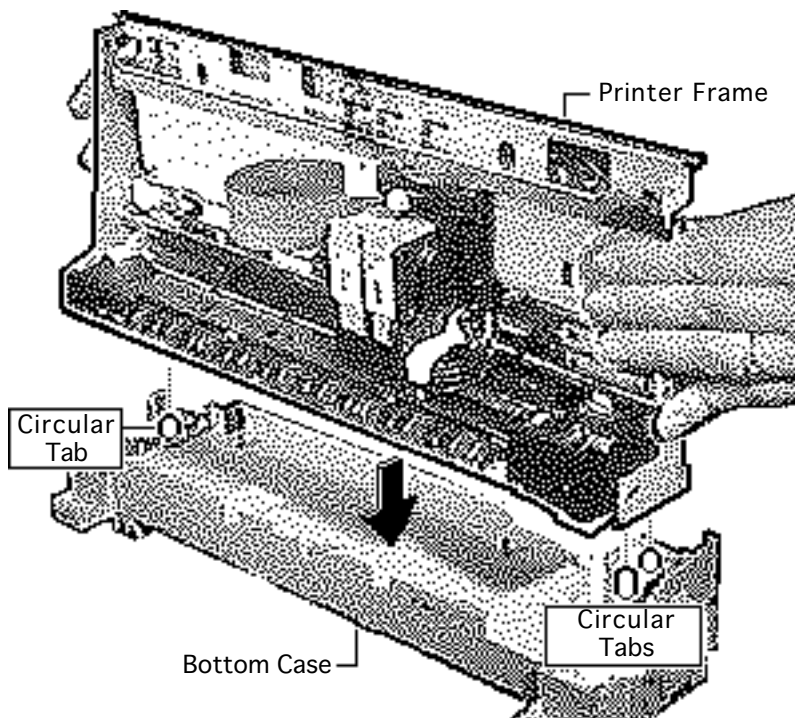




- 2 Release the left latch and remove the printer frame from the bottom cover.







**Replacement Note:** Make sure the bottom case circular tabs fit into the proper position in the printer frame.



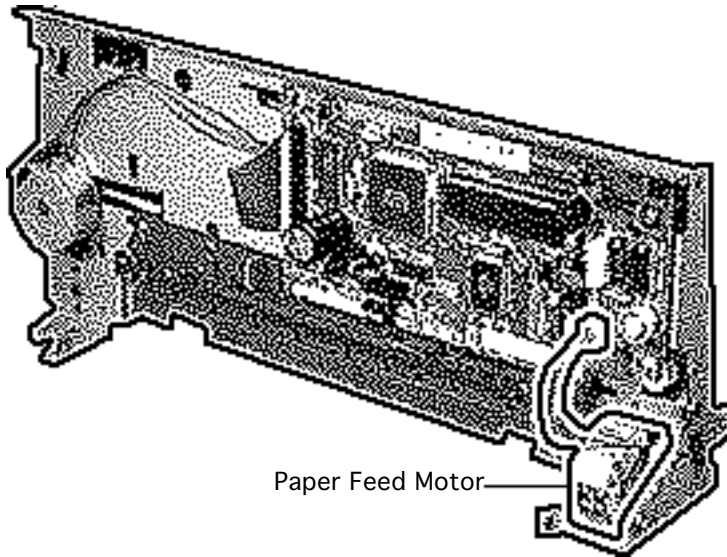


## Paper Feed Motor

Before you begin, remove the following:

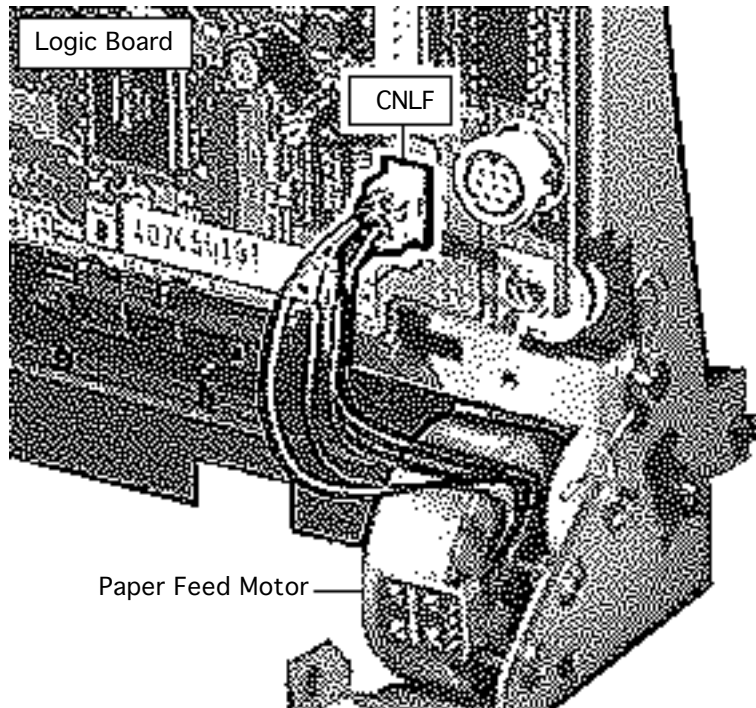
- Front covers
- Rear covers
- Cut sheet feeder
- Power supply
- Printer frame

**Caution:** Review the ESD precautions in Bulletins/ Safety.



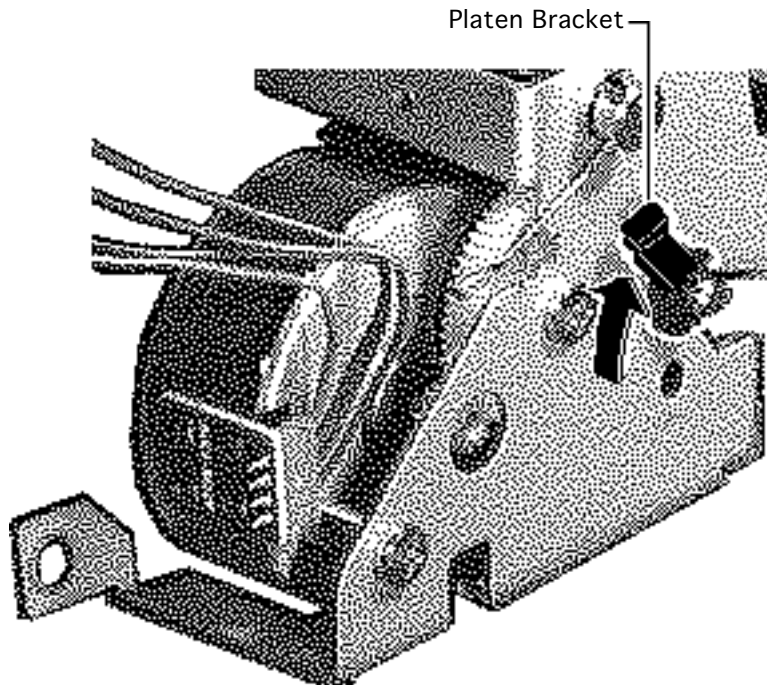
Paper Feed Motor





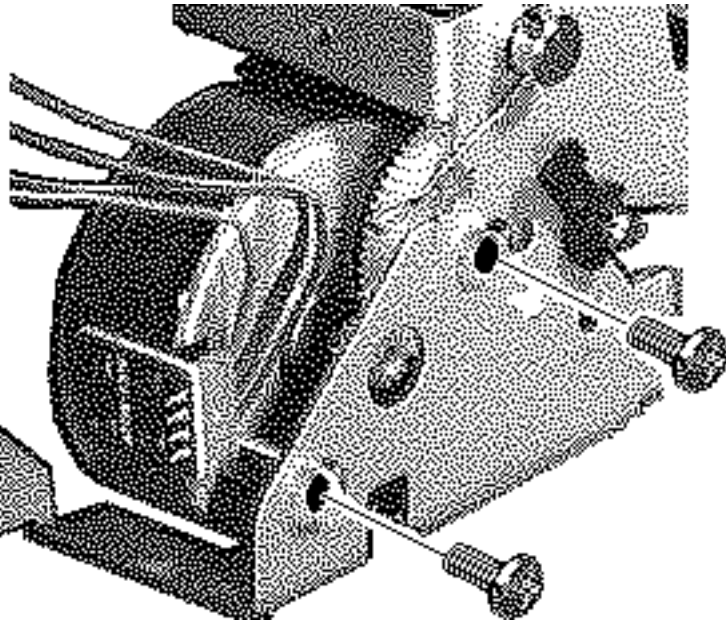
- 1 Disconnect connector CNLF from the logic board.





- 2 Move the platen bracket away from the mounting screw.



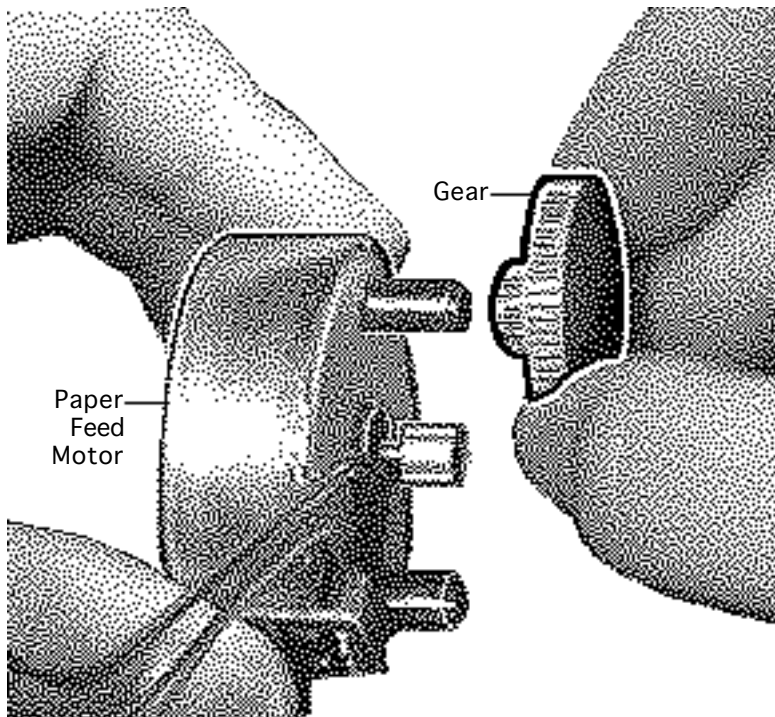


- 3 **Note:** Carefully remove the paper feed motor to avoid losing the gear.

Using a Phillips screwdriver, remove the two mounting screws.

- 4 Remove the paper feed motor from the printer.





- 5 Remove the gear from the paper feed motor.



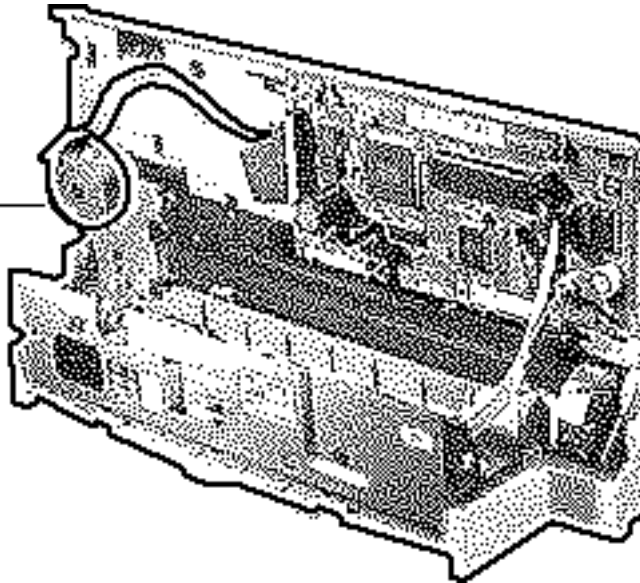


## Carriage Motor

Before you begin, remove the following:

- Front covers
- Rear covers
- Cut sheet feeder

Carriage Motor

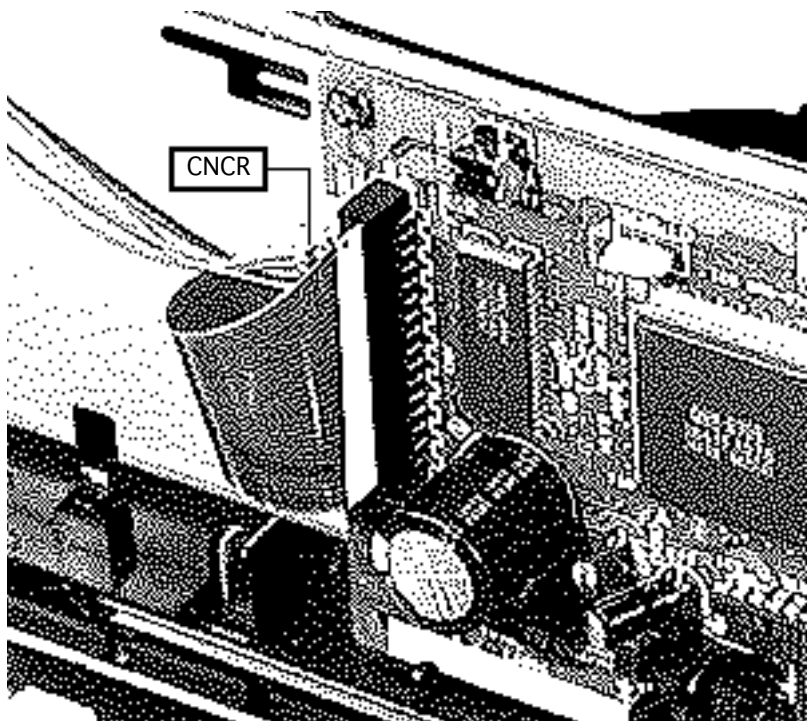


**Caution:** Review the ESD precautions in Bulletins/ Safety.

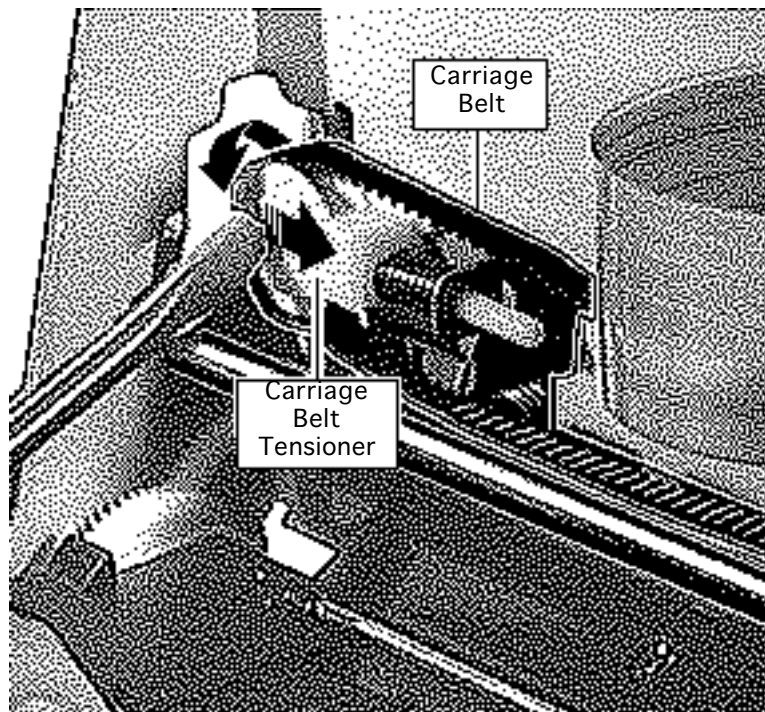




- 1 Disconnect connector CNCR from the logic board.

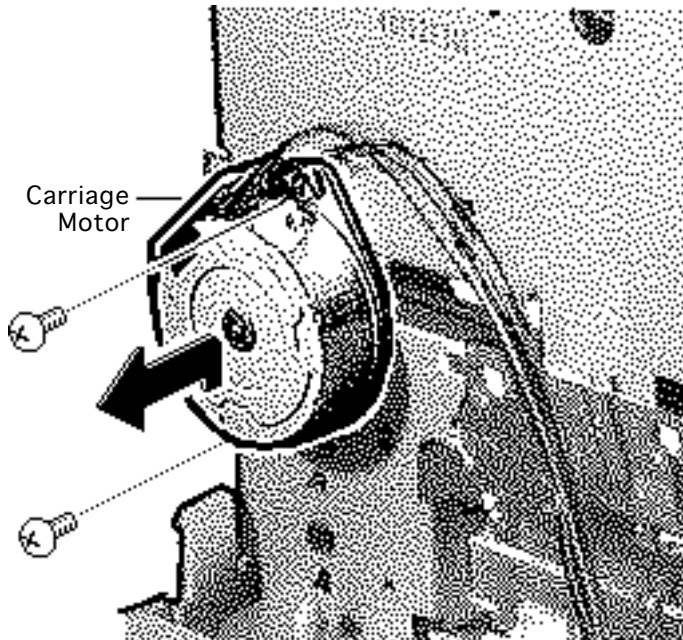






- 2 Using a flat-blade screwdriver, press in the carriage belt tensioner and disconnect the carriage belt.





- 3 Using a Phillips screwdriver, remove the two mounting screws.
- 4 Lift up and pull out the carriage motor.



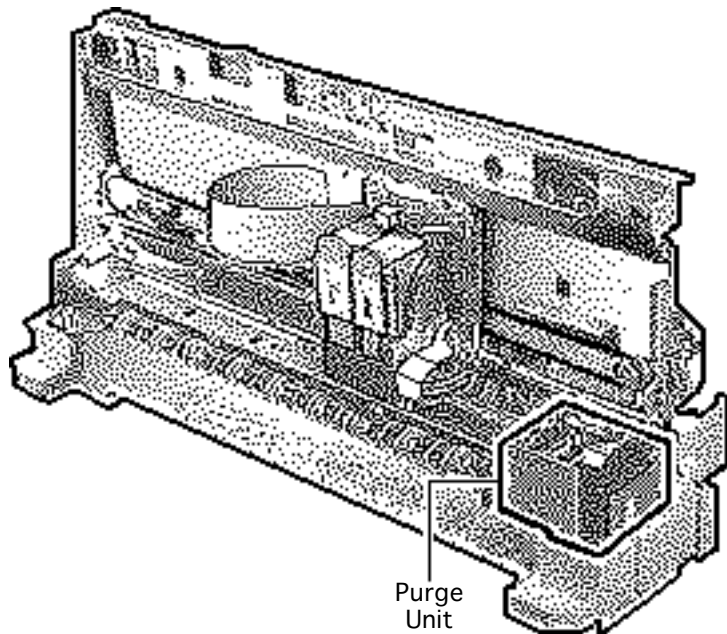


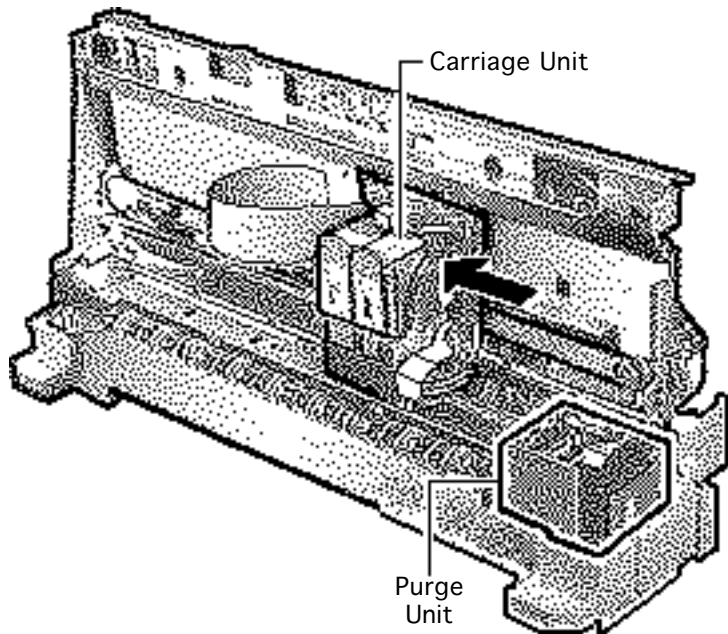
## Purge Unit

Before you begin, remove the following:

- Front covers
- Rear covers
- Cut sheet feeder
- Power supply
- Printer frame

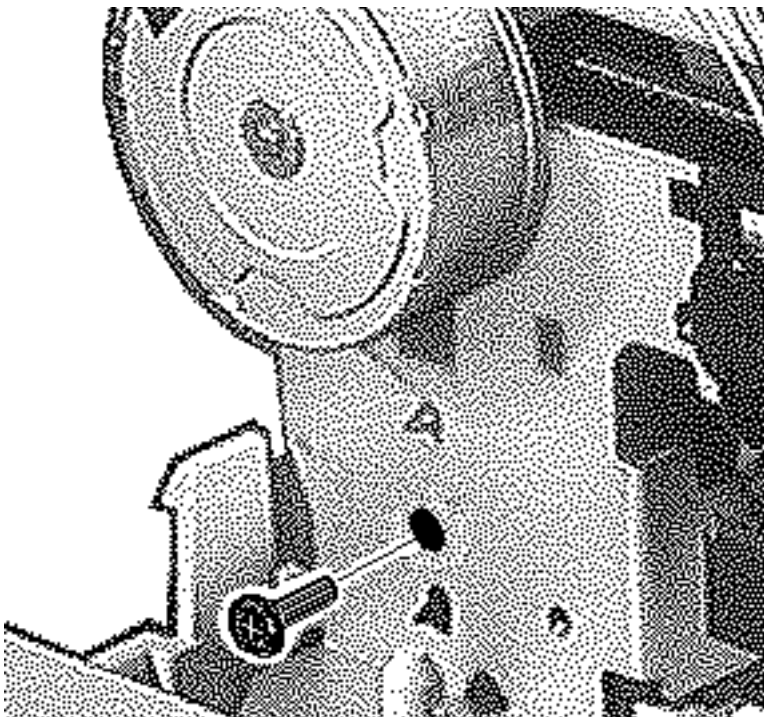
**Caution:** Review the ESD precautions in Bulletins/ Safety.





- 1 Move the carriage unit away from the purge unit.



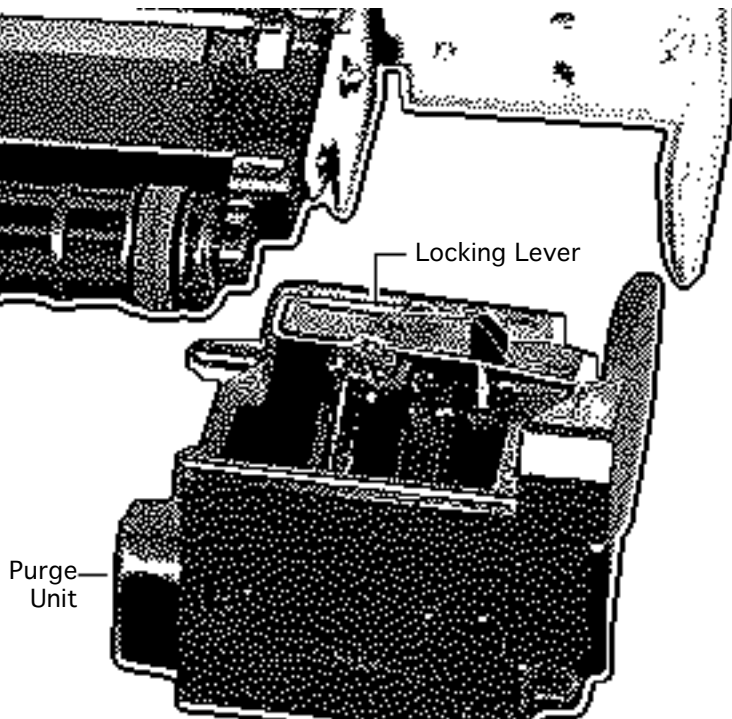


- 2 Using a Phillips screwdriver, remove the black mounting screw.



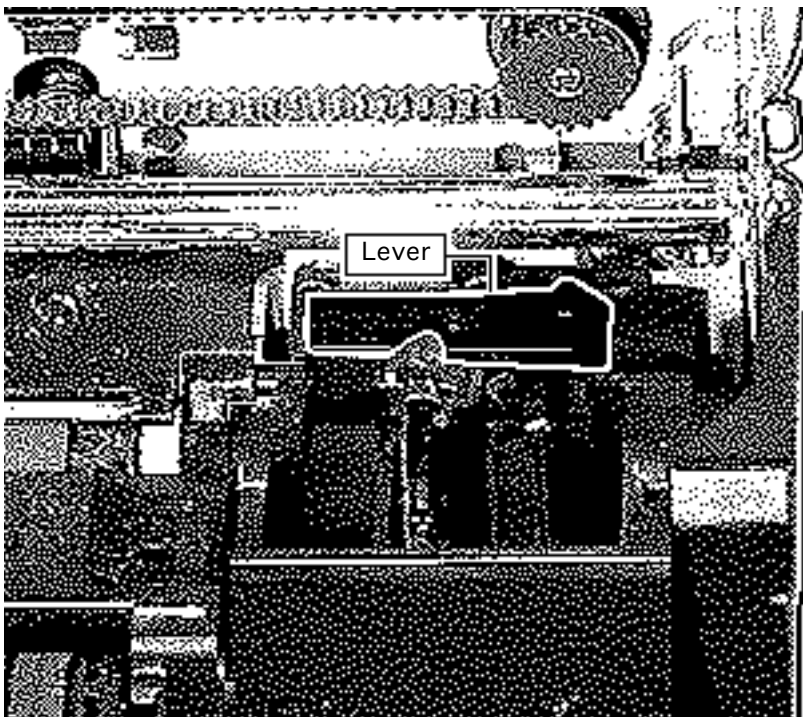


- 3 Pull back the locking lever and remove the purge unit from the printer.





**Replacement Note:** Make sure the black lever interlocks with the platen assembly in the position shown.



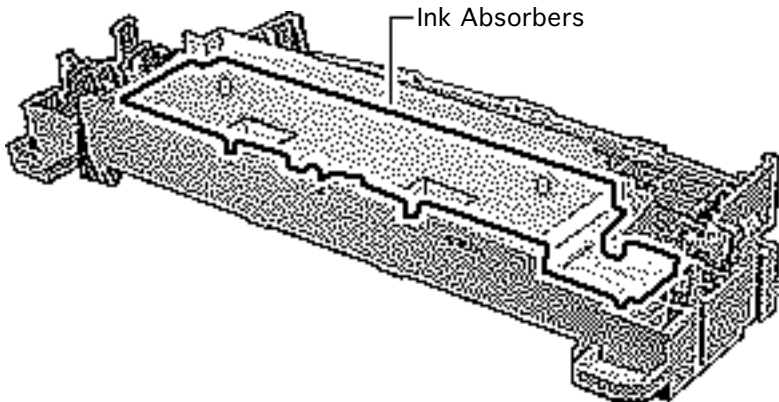


## Ink Absorbers

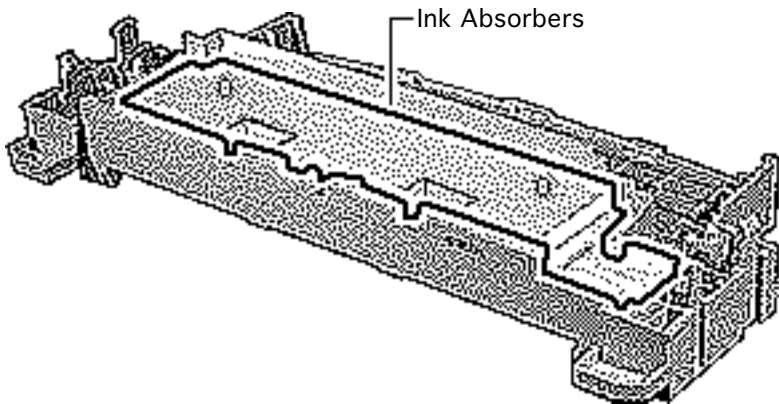
Before you begin, remove the following:

- Front covers
- Rear covers
- Cut sheet feeder
- Power supply
- Printer frame

**Caution:** Review the ESD precautions in Bulletins/ Safety.







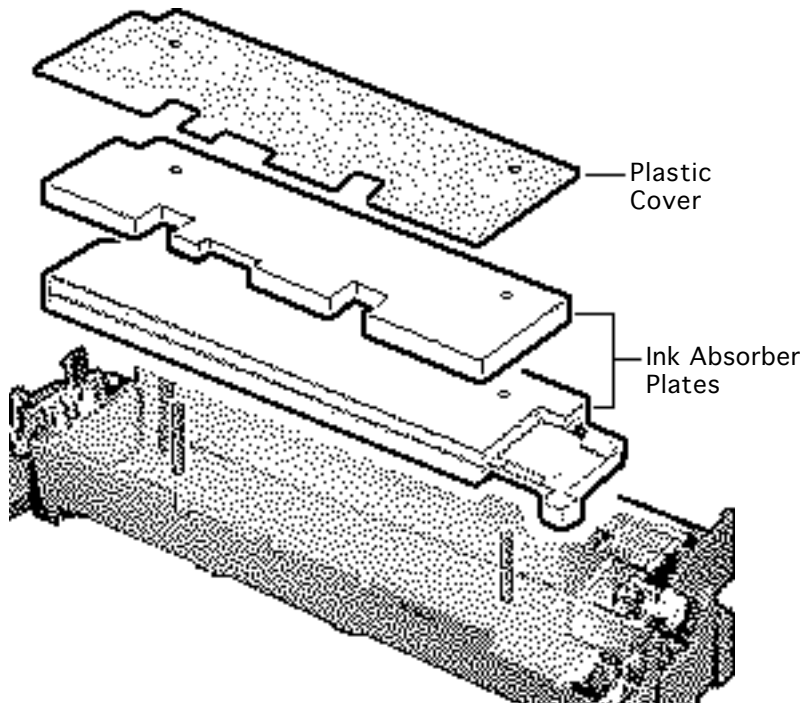
**Caution:** Do not get the printer's ink on your hands or clothes. Although the ink is water soluble, it contains dyes that will stain.

**Note:** After replacing the ink absorbers, you must reset the EEPROM on the logic board. See the Additional Procedures chapter.





- 1 Remove the clear plastic cover and the two ink absorber plates.





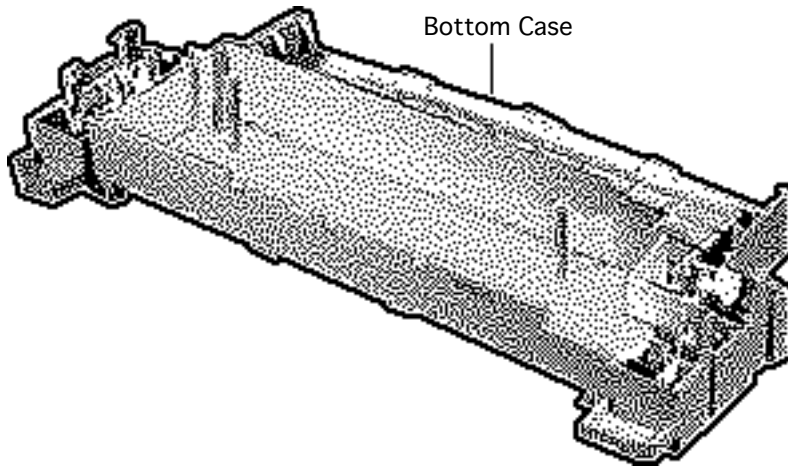
## Bottom Case

Before you begin, remove the following:

- Front covers
- Rear covers
- Cut sheet feeder
- Logic board
- Power supply
- Printer frame
- Ink absorbers

**Caution:** Review the ESD precautions in Bulletins/ Safety.

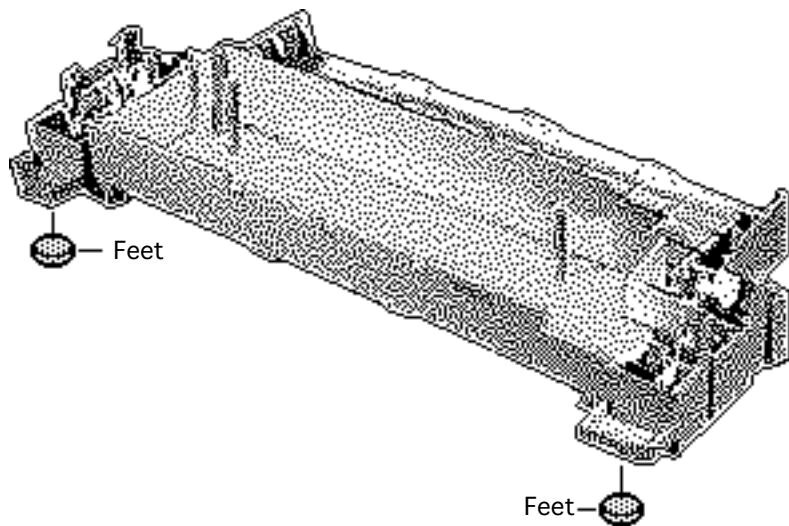
Perform the above steps.





**Note:** A replacement bottom case includes feet.

If necessary, replace damaged or missing feet.





## Upgrades

---

Color StyleWriter 2500

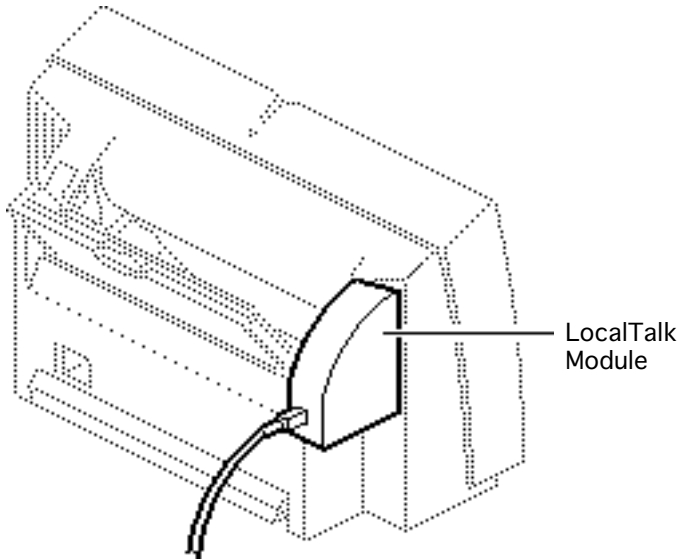




## LocalTalk Module

Before you begin, turn off and unplug the printer.

**Note:** This procedure covers the installation of an optional LocalTalk module, which enables the printer to connect to a LocalTalk network.



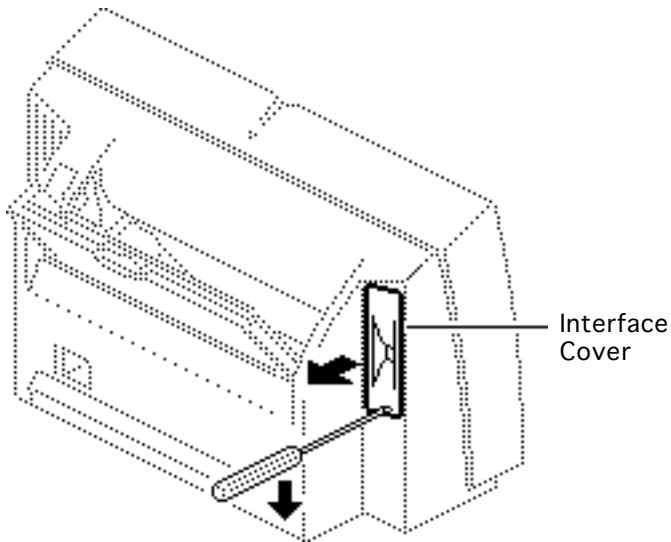


**Note:** There are two versions of this module that look similar. The latest version states on the label that it works with both the 2400 and 2500. The earlier version only works with the 2400.





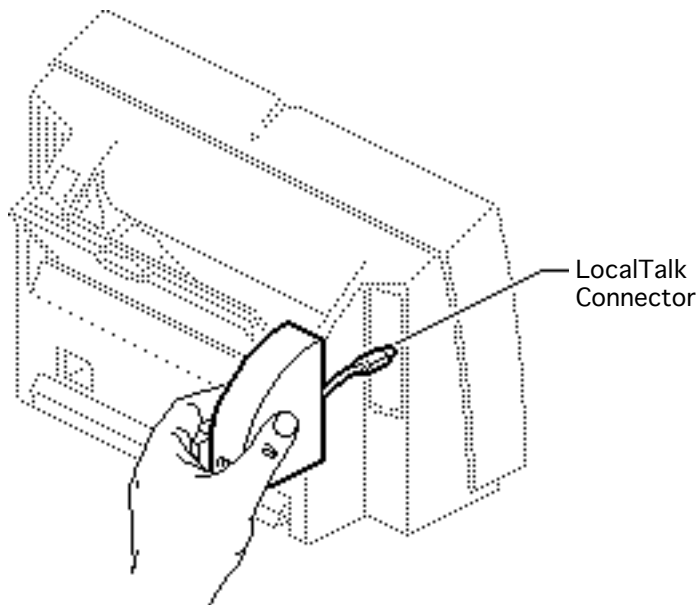
- 1 Using a small flat-blade screwdriver, release the mounting tab and remove the interface cover from the rear case.





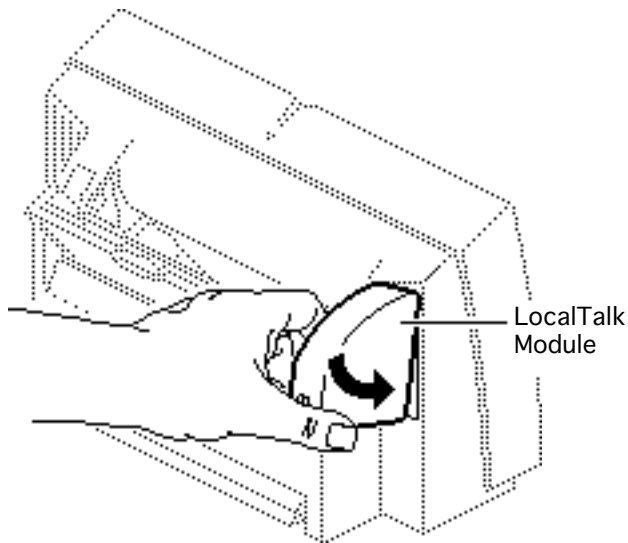


- 2 Plug the LocalTalk connector into the serial port.





- 3 Insert the upper edge of the LocalTalk module into the rear case, and then snap the bottom into place.

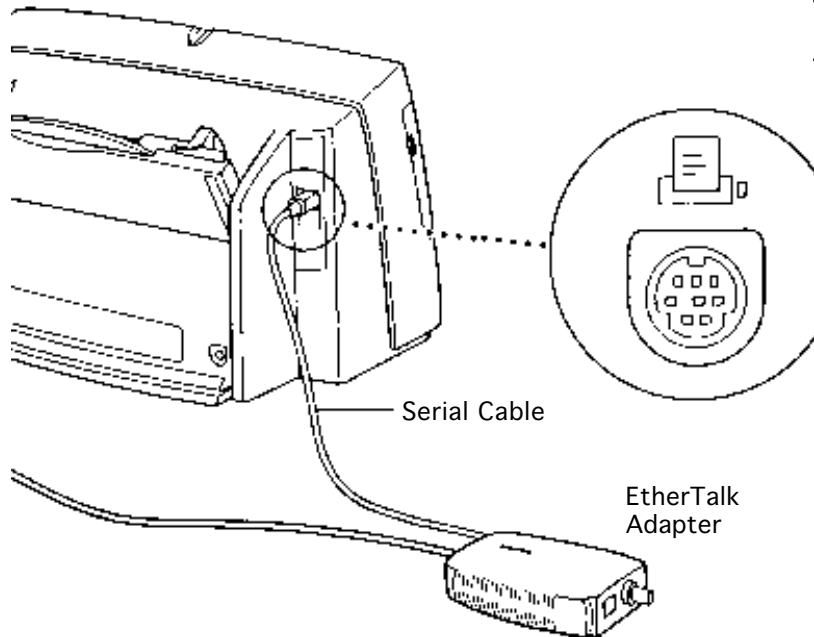


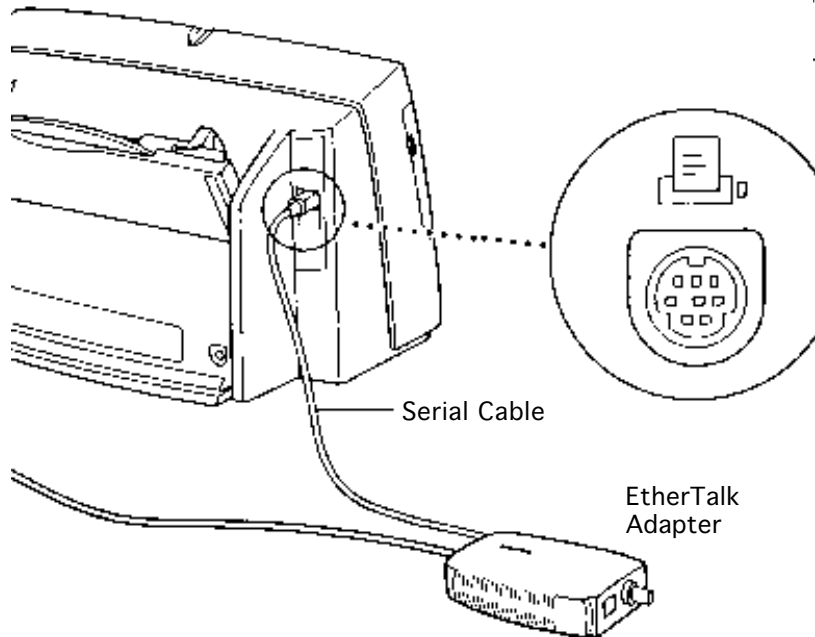


## EtherTalk Adapter

Before you begin, turn off and unplug the printer.

**Note:** This procedure covers the installation of an optional EtherTalk adapter, which enables the printer to connect to a Ethernet network.





- 1 Plug the serial cable from the printer into the EtherTalk Adapter.
- 2 Plug in the EtherTalk power adapter.





## Additional Procedures

---

Color StyleWriter 2500



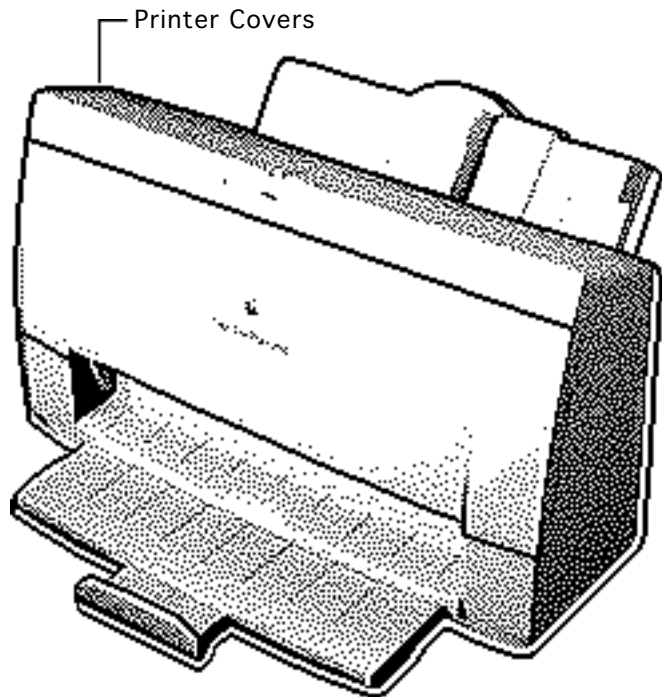


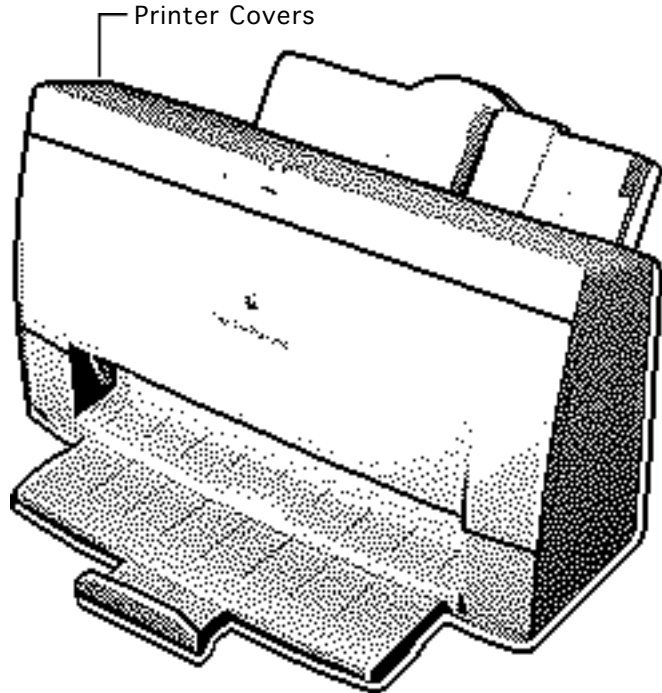
## Printer Cleaning

Before you begin, unplug the printer.

**Caution:** Do not use ammonia-based or alcohol-based cleaners on or around the printer. These cleaners may react with the plastic.

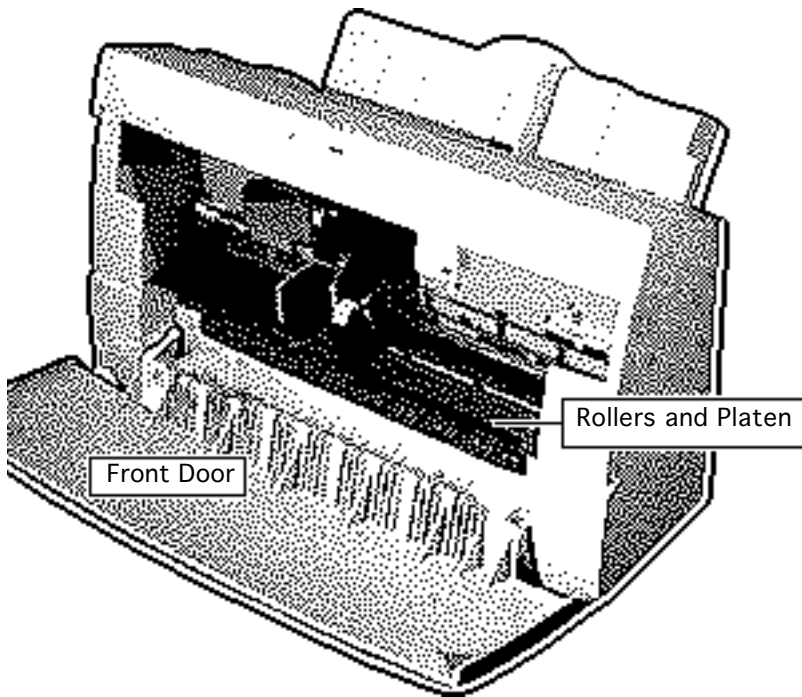
**Caution:** Do not spill liquid in the power cord receptacle.





- 1 **Caution:** Do not get the printer's ink on your hands or clothes. Although the ink is water soluble, it contains dyes that will stain.  
  
Using a damp cloth, wipe the outside of the printer covers.





- 2 **Caution:** Do not use any liquid cleaners inside the printer.  
Open the front door of the printer.
- 3 Using a dry cloth, carefully wipe the rollers and platen.



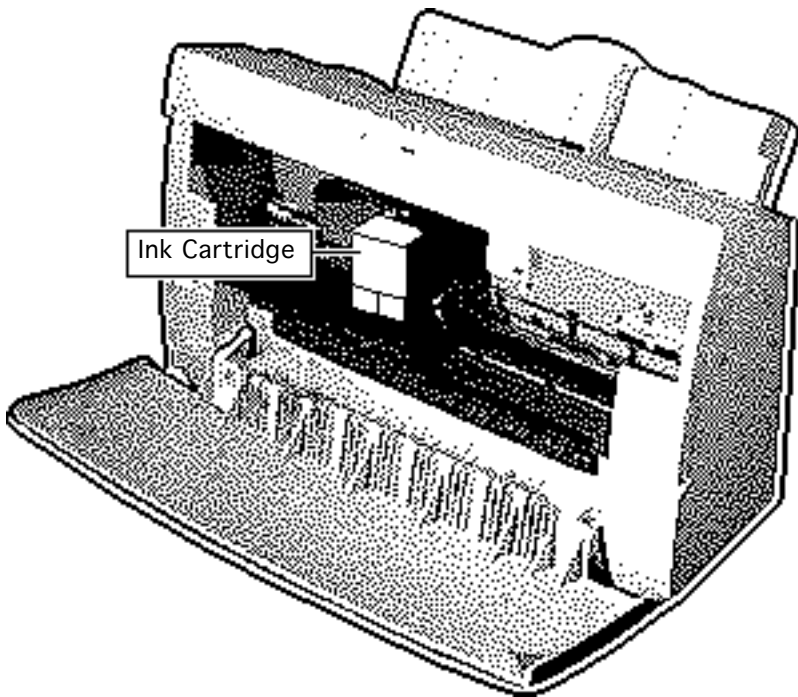


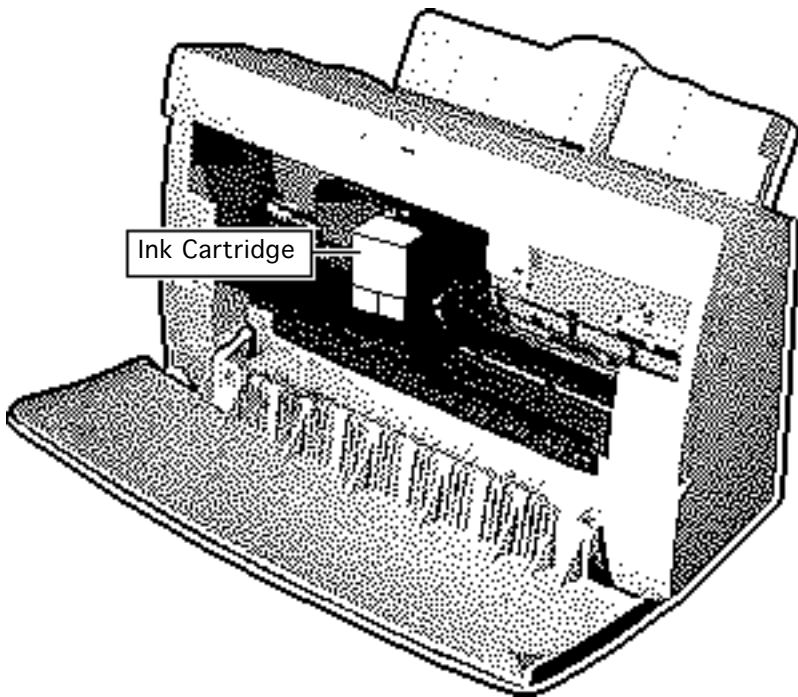


## Ink Cartridge Replacement

No preliminary steps are required before you begin this procedure.

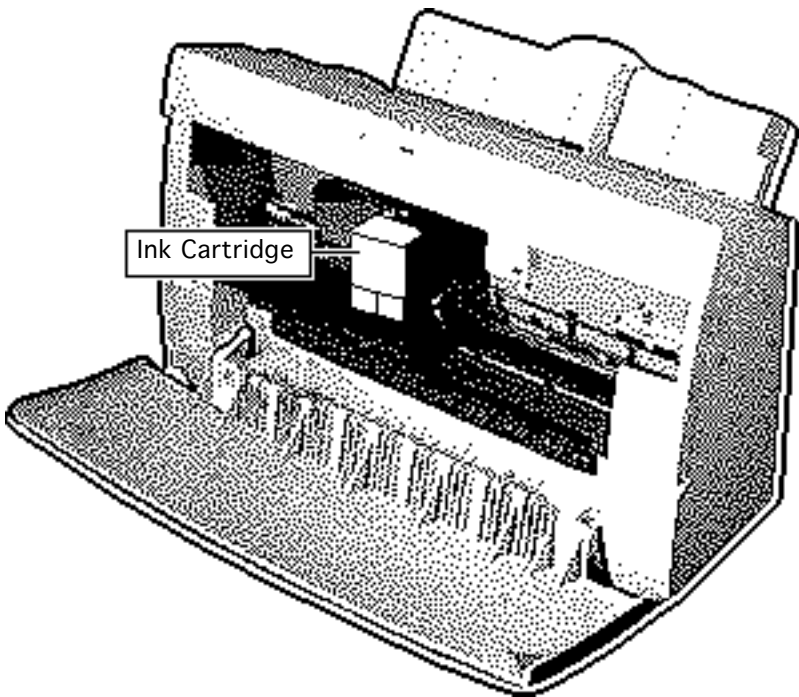
**Caution:** Do not get the printer's ink on your hands or clothes. Although the ink is water soluble, it contains dyes that will stain.





**Note:** This procedure covers the ink cartridge replacement for either of the ink cartridges that come with the printer. One cartridge is black ink only; the other is a four-color ink cartridge with two ink tanks. One tank contains black ink only and the other tank contains the cyan, magenta, and yellow inks.



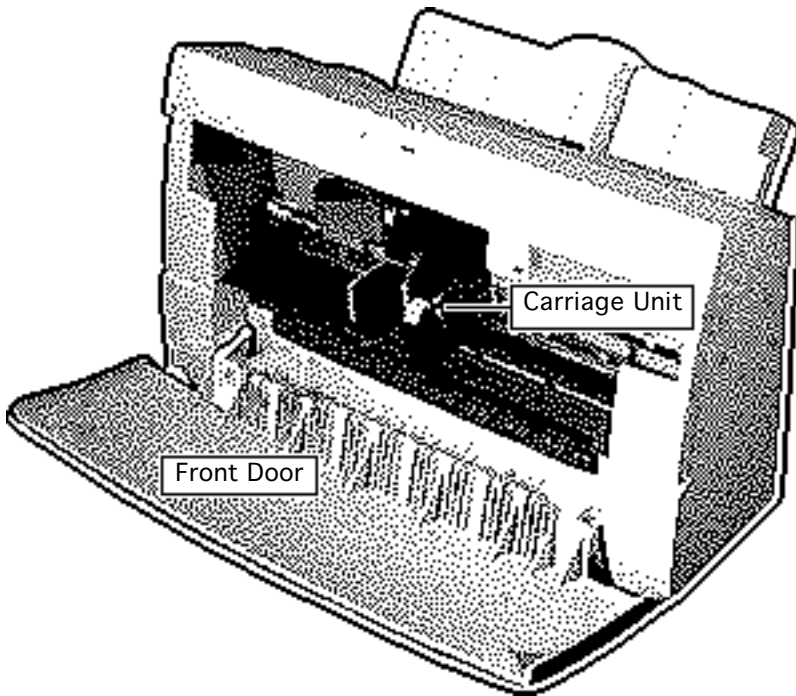


The Service part number for the black-only cartridge is for service use only. To order a replacement cartridge for a customer, use the finished goods part number (M3240G/A).



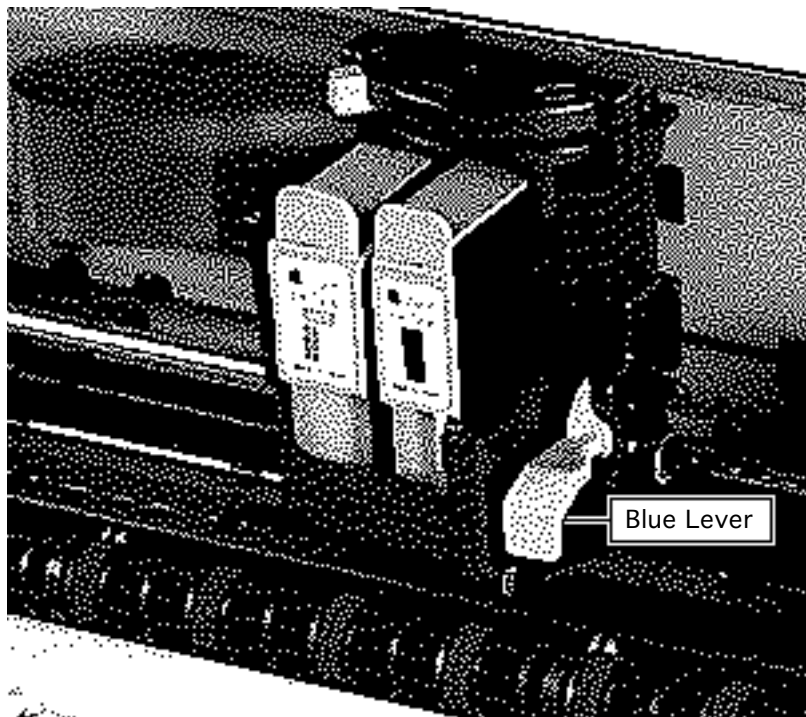


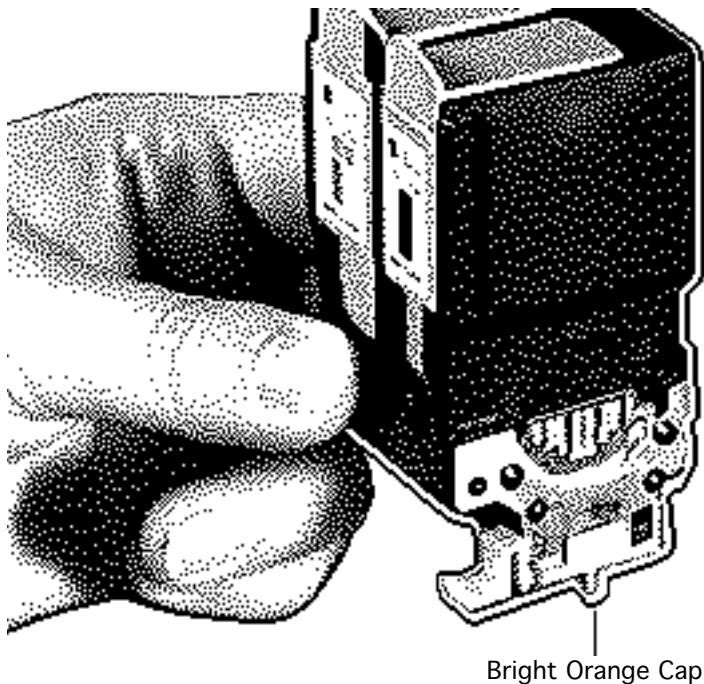
- 1 Turn on the printer.
- 2 Open the front cover. The carriage unit will now move to the center position.





- 3 Raise the bright blue lever on the carriage unit and remove the cartridge.





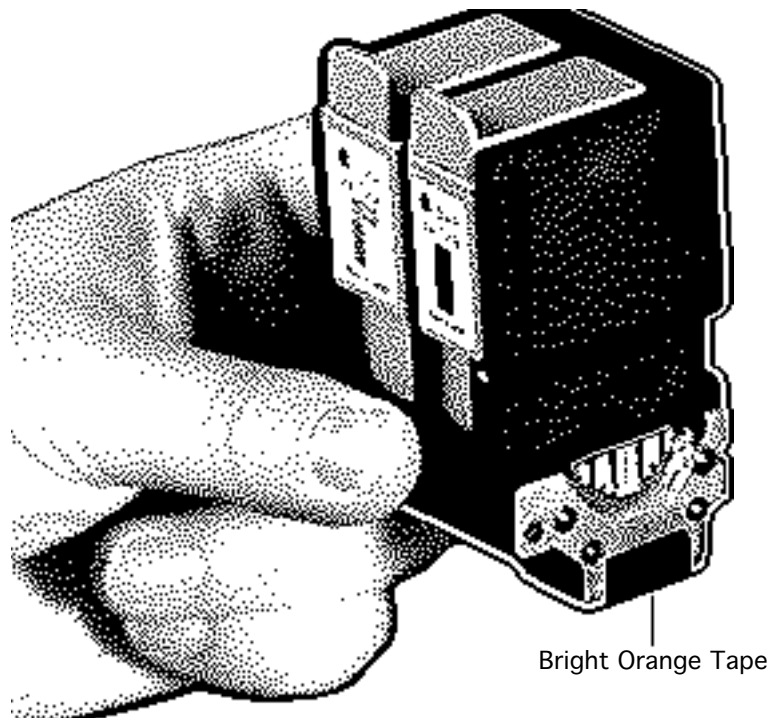
- 4 **Caution:** To prevent the print heads from clogging, do not touch or wipe them.

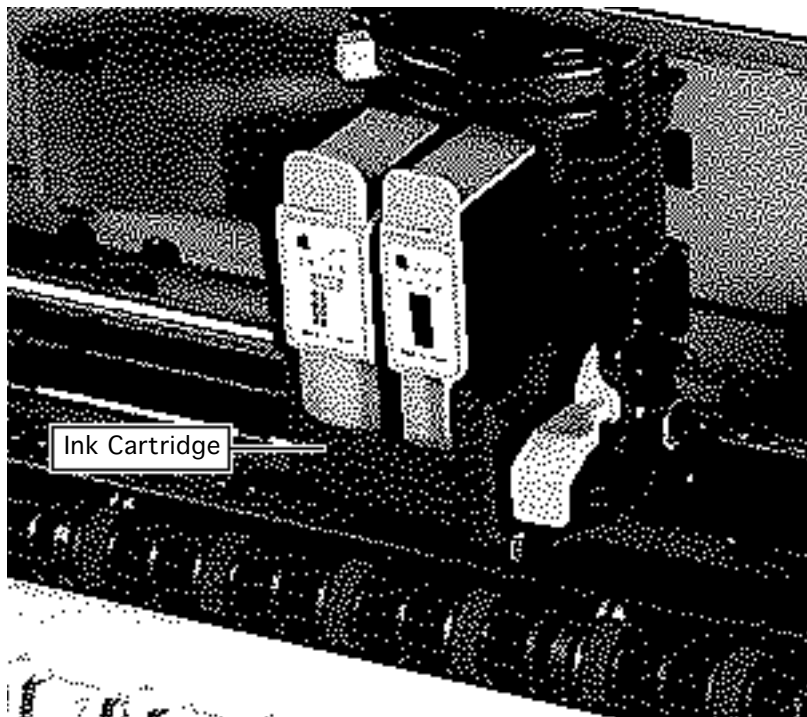
Remove the bright orange cap from the replacement ink cartridge.





- 5 Peel off the bright orange tape from the print heads.





- 6 Install the replacement ink cartridge into the printer.
- 7 Close the printer cover.



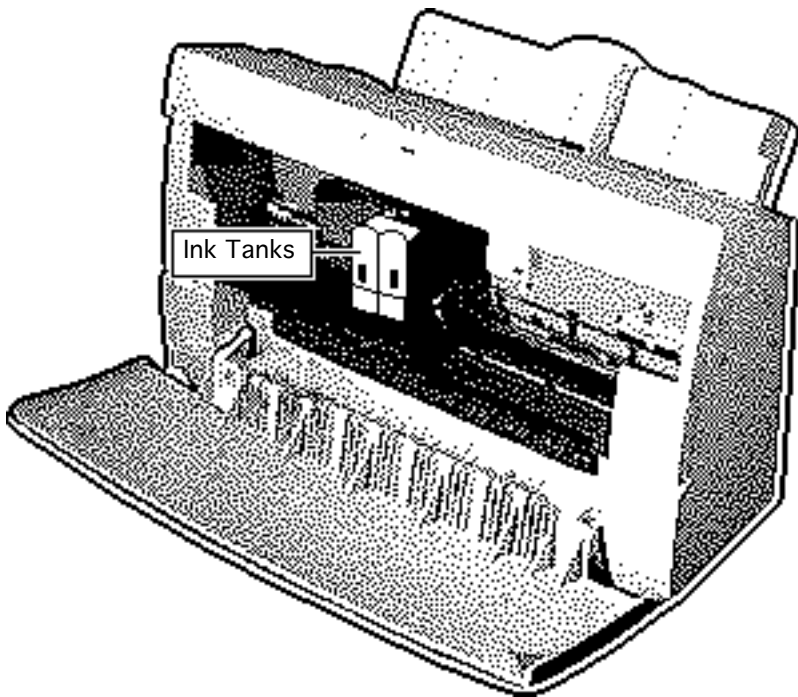


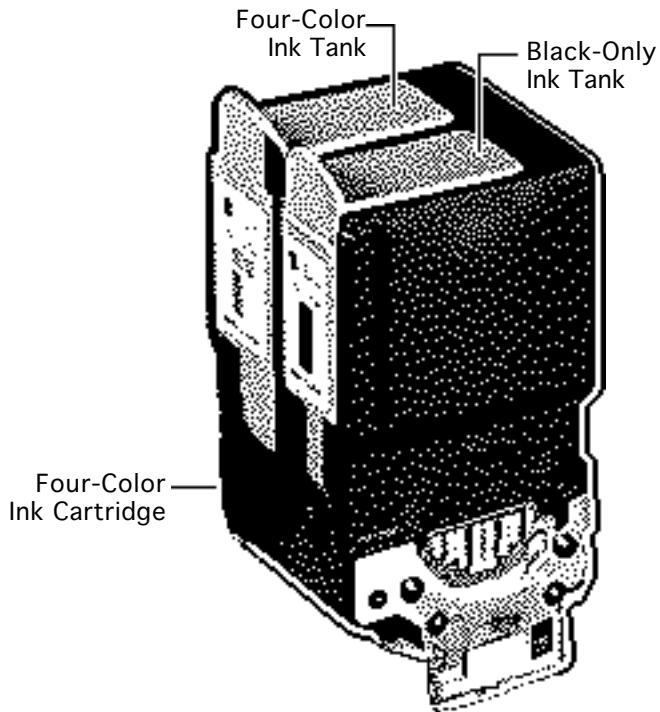


## Ink Tank Replacement

No preliminary steps are required before you begin this procedure.

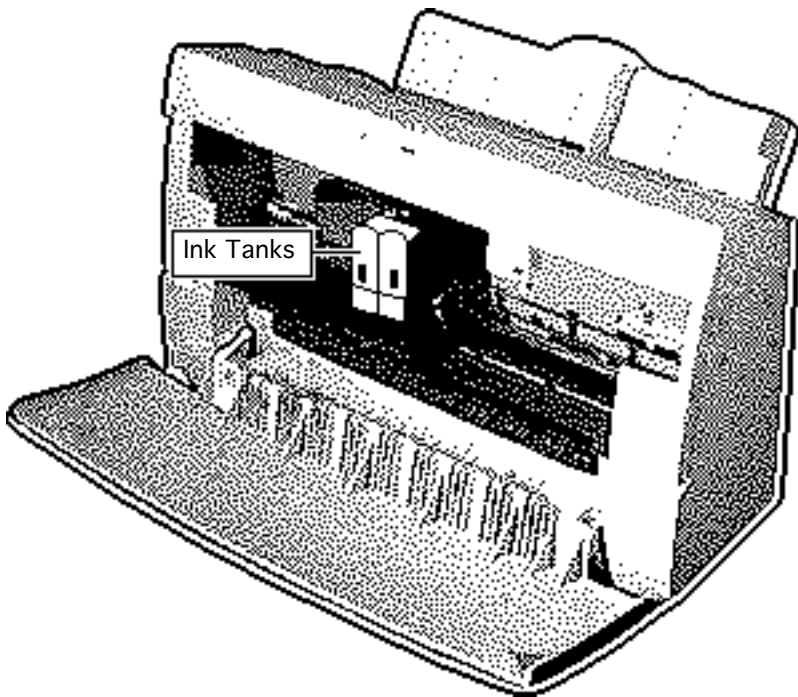
**Caution:** Do not get the printer's ink on your hands or clothes. Although the ink is water soluble, it contains dyes that will stain.





**Note:** This procedure covers ink tank replacement for the four-color ink cartridge. The cartridge contains two separate ink tanks, one for black ink and one for cyan, magenta, and yellow inks. When you run out of ink, you replace only the empty tank, instead of replacing the entire cartridge.





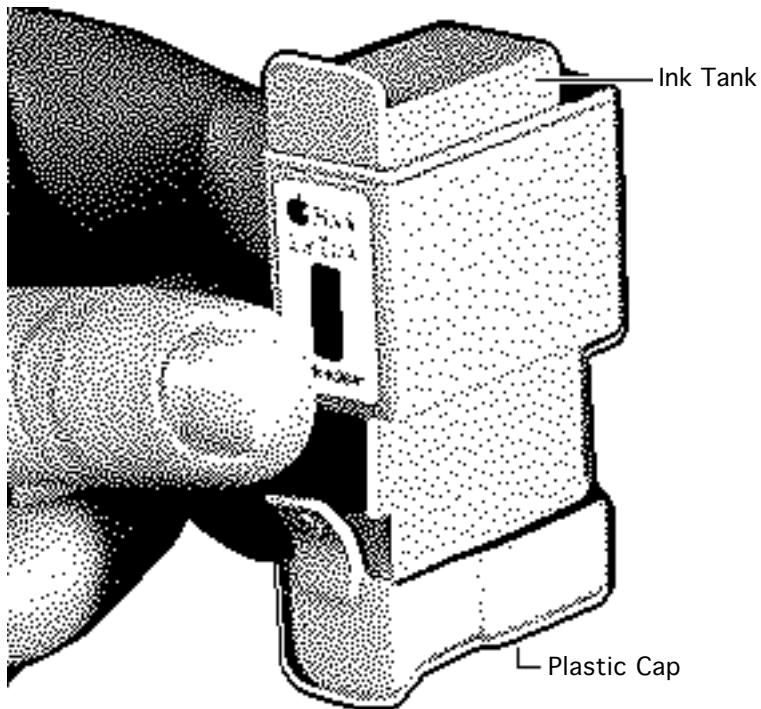
- 1 Turn on the printer.
- 2 Open the front cover. The carriage unit will now move to the center position.
- 3 Remove and discard the old ink tank.

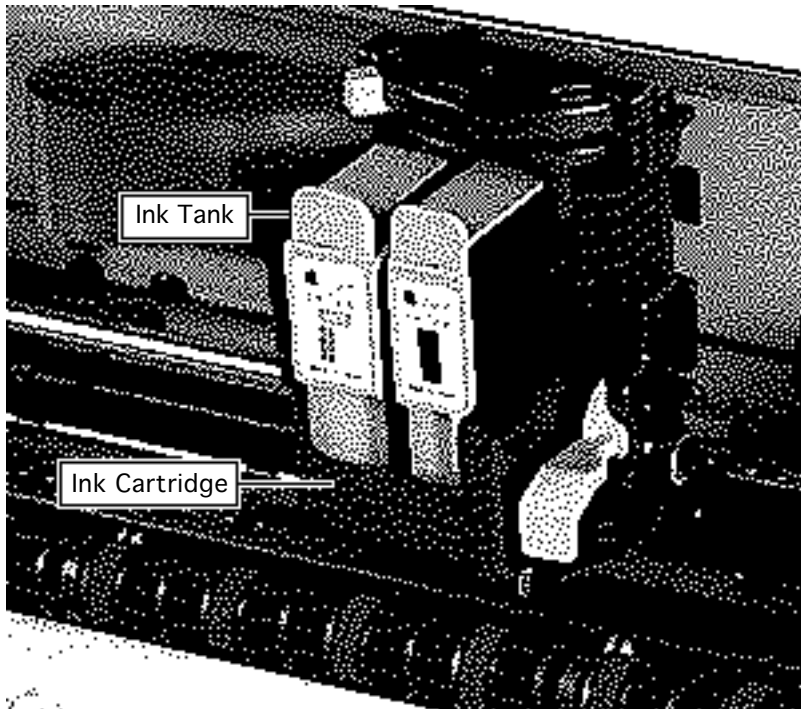




- 4 **Caution:** To prevent the print heads from clogging, do not touch or wipe them.

Remove the plastic cap from the replacement ink tank.





- 5 **Caution:** Make sure you install the color ink tank on the left and the black ink tank on the right.

Slide the ink tank into the ink cartridge and push down so the ink tank snaps into place.

- 6 Close the printer cover.

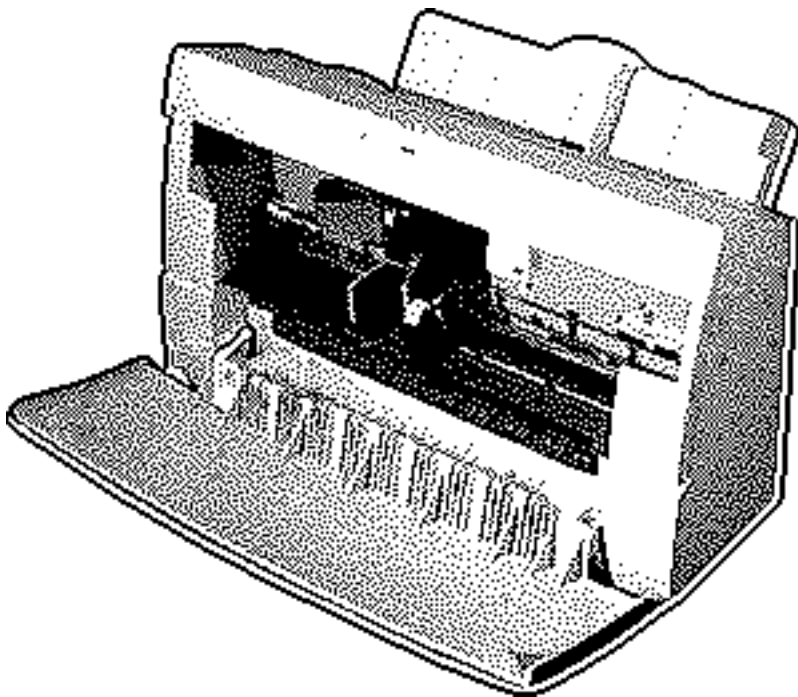


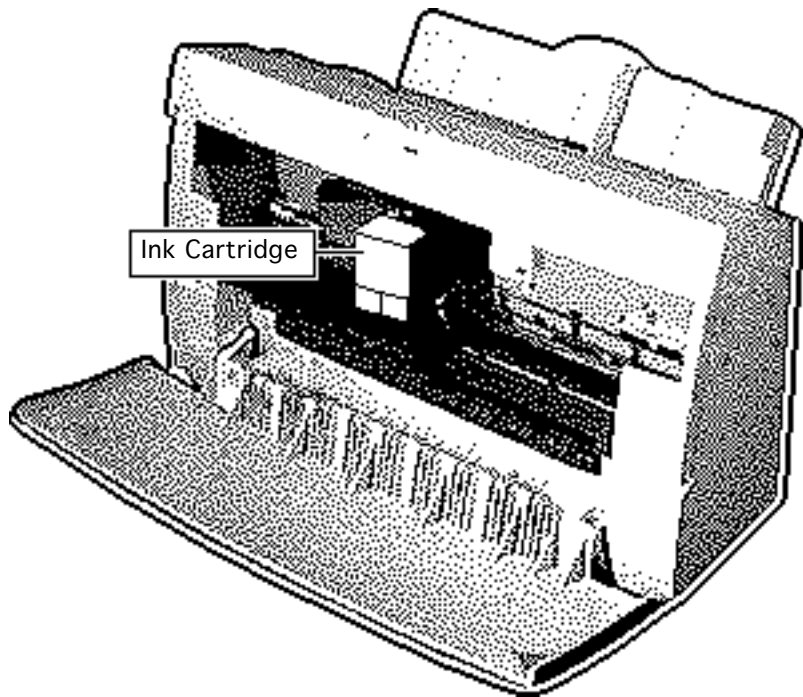


## Nozzle Check

No preliminary steps are required before you begin this procedure.

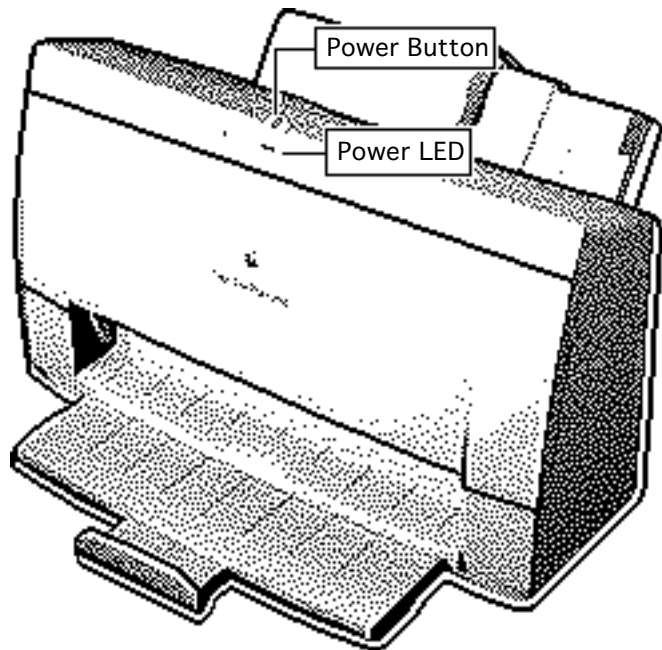
**Caution:** Do not get the printer's ink on your hands or clothes. Although the ink is water soluble, it contains dyes that will stain.





**Note:** This procedure explains how to run the nozzle check test page, which indicates whether the print nozzles need to be cleaned. The print nozzles are contained in the ink cartridge.





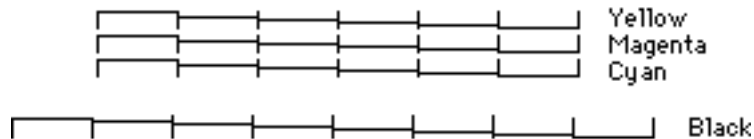
- 1 **Important:** Make sure the printer is off.  
Load paper into the cut sheet feeder.
- 2 Hold down the power key until the power LED starts blinking. The printer will now print out a test page.



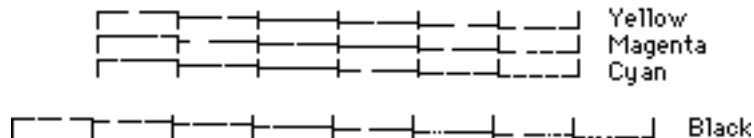




Nozzle Status OK



Clean Nozzles



- 3 Examine the bottom of the test page to determine print head status.

If the horizontal lines in the test pattern are missing, one or more ink nozzles are clogged. To clear the nozzles, perform one of the print head cleaning procedures described in this chapter.



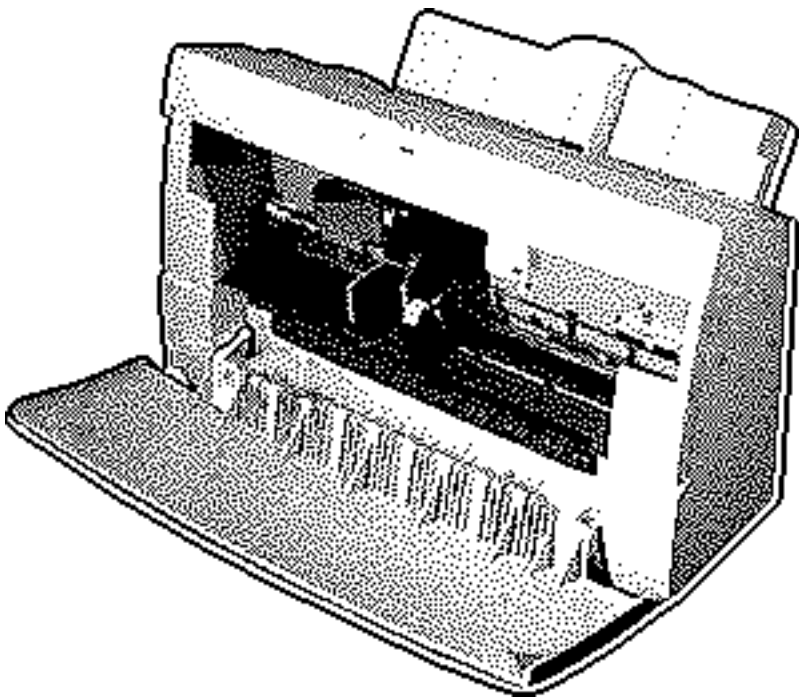


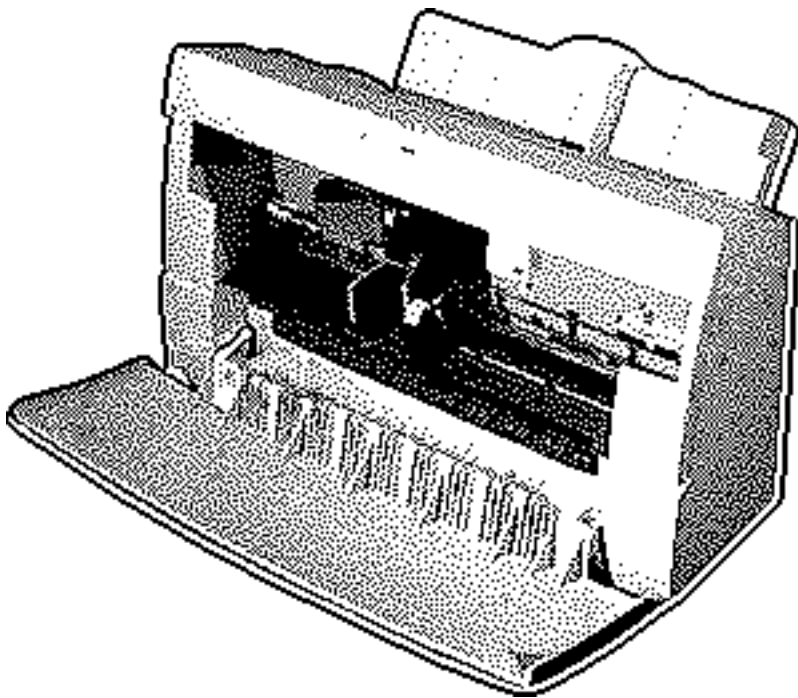
## Print Head Cleaning

No preliminary steps are required before you begin this procedure.

**Caution:** Do not get the printer's ink on your hands or clothes. Although the ink is water soluble, it contains dyes that will stain.

**Caution:** To prevent the print nozzles from clogging, do not touch or wipe them. The print nozzles are on the bottom of the ink cartridge.



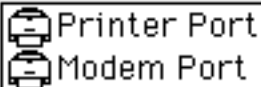


**Note:** Use the Cleaning option to correct blurred characters, horizontal white streaks, and missing dots caused by clogged ink nozzles. Use the Super Cleaning option when print quality does not improve after you have performed the Cleaning option two or three times.



**Chooser**

Connect to:

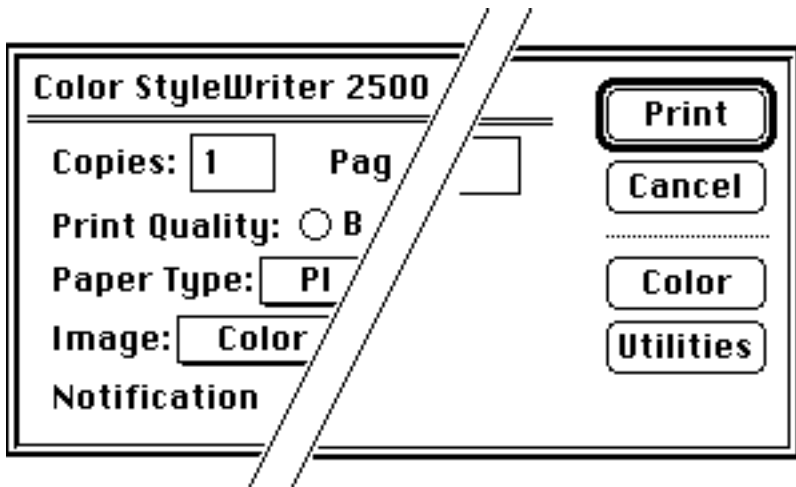


- 1 Make sure the Color StyleWriter 2500 printing software is installed. See the Diagnostics folder on Service Source for the driver software.
- 2 Using the Chooser, select Color StyleWriter 2500.
- 3 Make sure the correct printer port is selected.
- 4 Close the Chooser.





- 5 Open any document and select the print option or choose Print Window from the File menu.
- 6 Click the Utilities button in the Print dialog box.





- 7 Select the “Clean the print head before printing” option.
- 8 Click OK.

**Color StyleWriter 2500 Print Utilities**

**Clean the print head before printing**

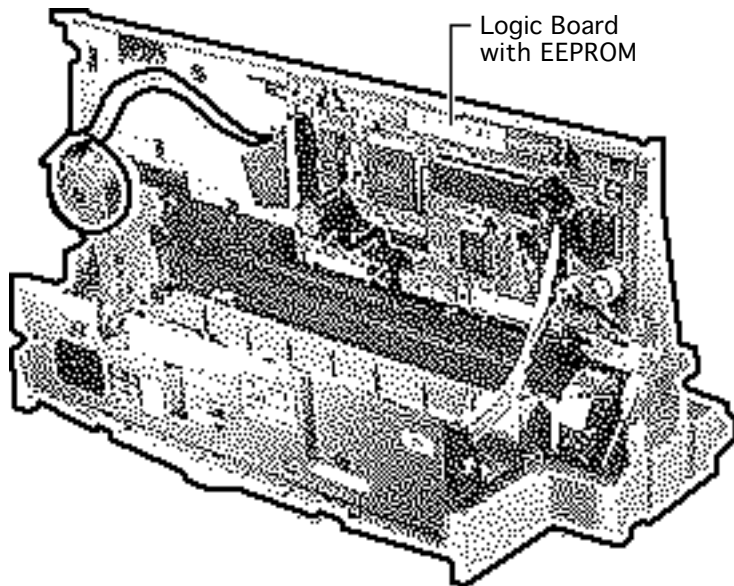


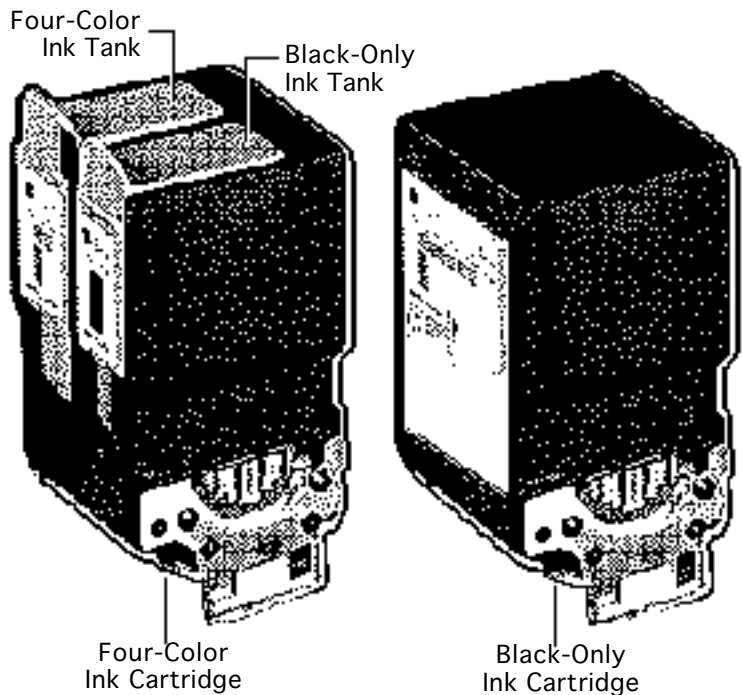


## EEPROM Reset

No preliminary steps are required before you begin this procedure.

**Note:** This procedure explains how to perform the EEPROM reset, which clears data stored on the logic board. It is necessary to perform this procedure after replacing the ink absorbers or the logic board. See “Logic Board” and “Ink Absorbers” in Take Apart for more information.





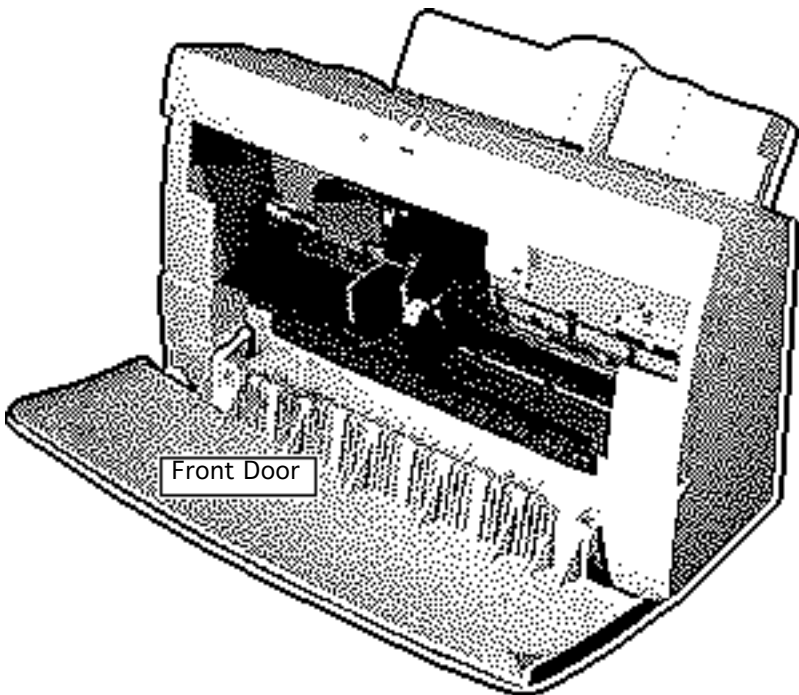
**Note:** This procedure uses either the black-only or the four-color ink cartridge.

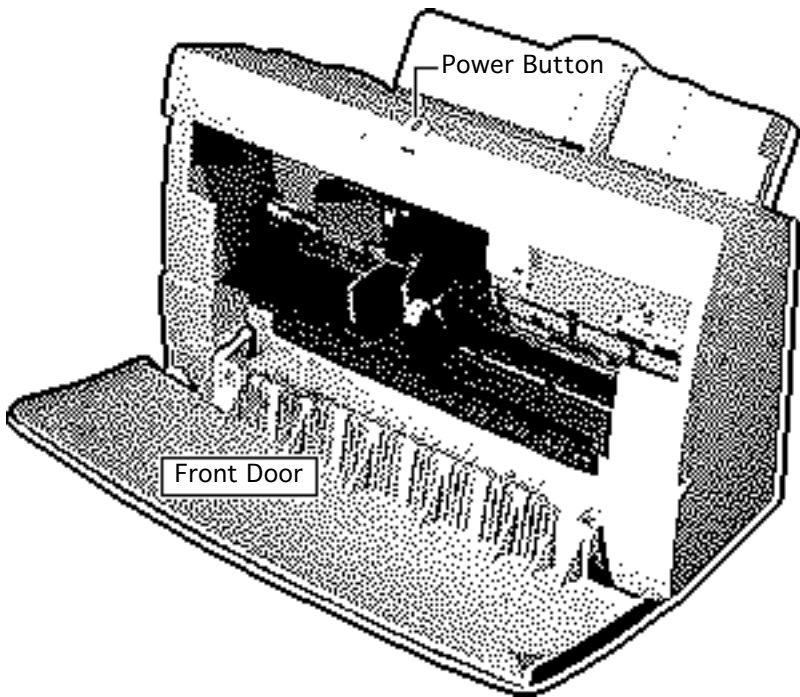






- 1 Disconnect the power cord from the printer.
- 2 Make sure the ink cartridge is installed and the power cord is plugged into the wall.
- 3 Open the front door.





- 4 Press and hold down the power button while connecting the power cord to the printer, and then release the power button.
- 5 Close the front door.





Upper Corner of Pattern Page



- 6 **Note:** A pattern page now prints and the EEPROM data is reset. The last bar on the pattern will be white, which shows that the data has been reset.

Press the power button to turn off the printer and then disconnect the power cord from the printer.

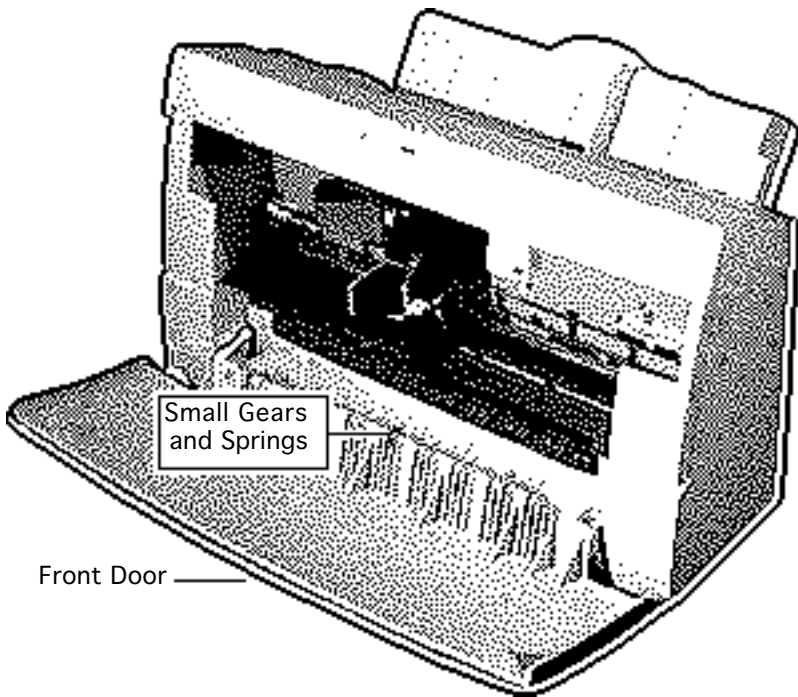


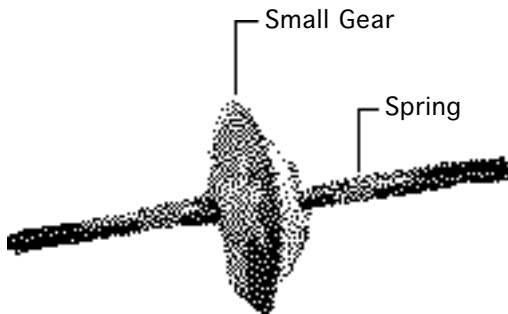


## Small Gear Replacement

Before you begin, remove the front door (see “Front Covers”)

**Replacement Note:** The small gears and springs in the front door fall out of position if a paper jam is forcibly removed from the printer. These gears and springs are not available as service replacement parts.



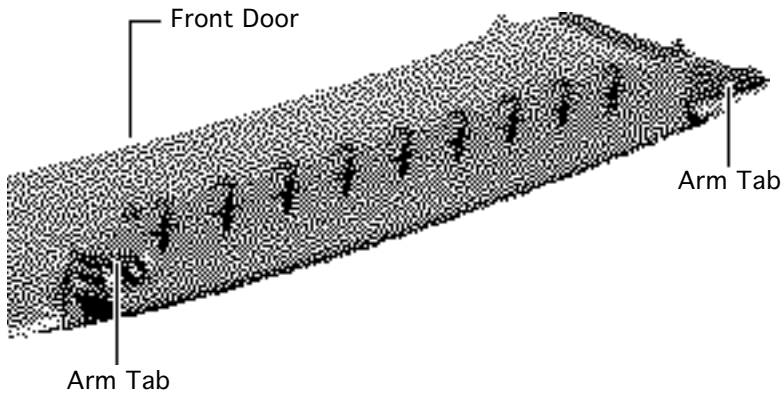


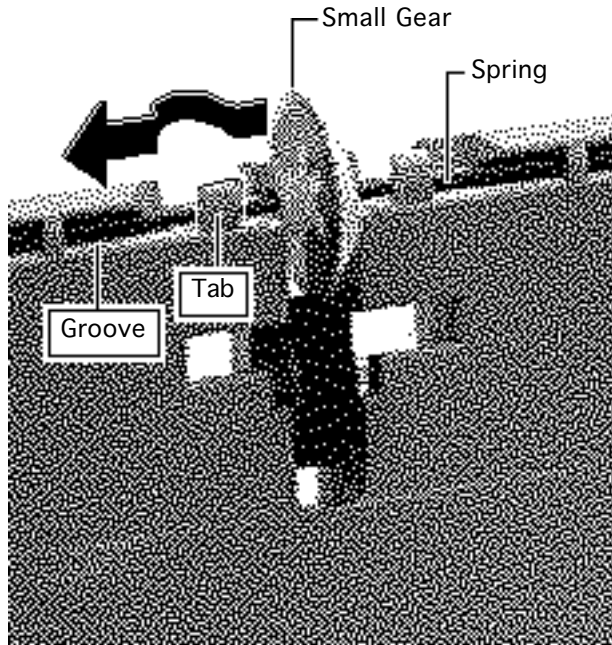
**Replacement Note:** The springs in the small gear fall out easily. Make sure the springs are not lost or damaged. These gears and springs are not available as service replacement parts.





- 1 Turn the front door so that the arm tabs face toward you.





- 2 Place the gear and spring in the front cover and wrap one end of the spring around the tab on the front cover.
- 3 Set the spring into the groove.
- 4 Repeat for the other end of the spring.

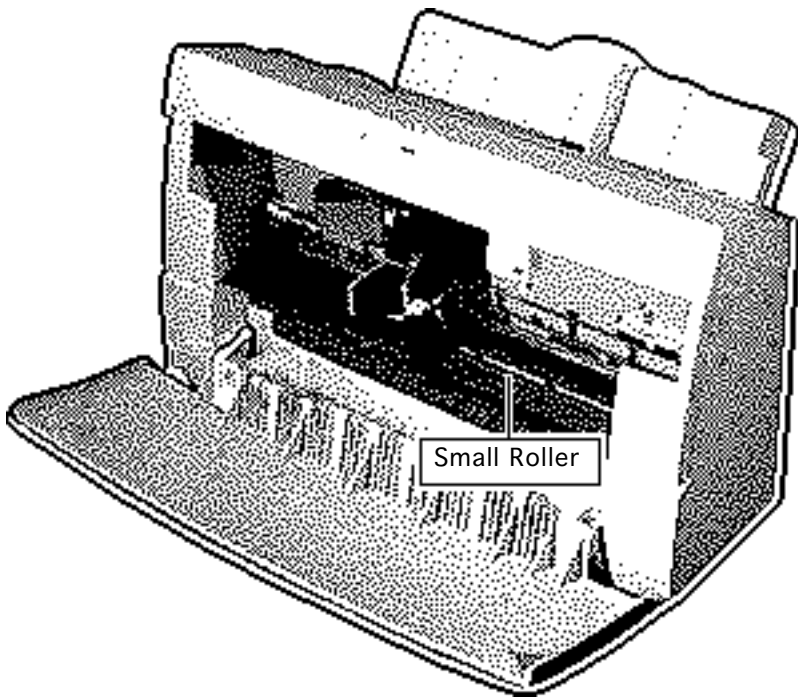




## Small Roller Replacement

No preliminary steps are required before you begin this procedure.

**Replacement Note:** The small rollers in the platen assembly fall out of position if a paper jam is forcibly removed from the printer. These small rollers are not available as service replacement parts.



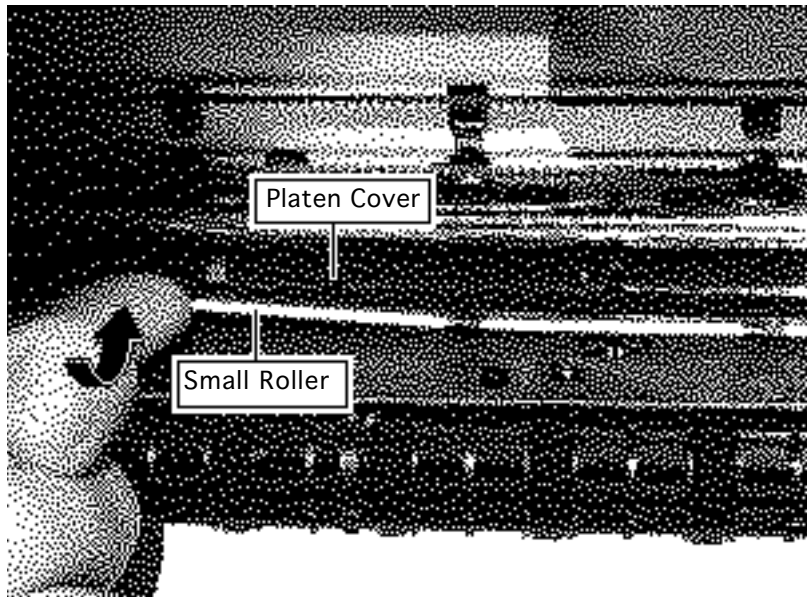




- 1 Lift up the platen cover.
- 2 **Note:** There is a small mounting groove on the underside of the platen cover.

Slip the small roller under the top of the platen.

- 3 Push up and snap the roller into the groove under the platen cover.





Exploded View

---

Color StyleWriter 2500



