



# AppleCD 300e Plus/600e

---

AppleCD 300e Plus  
AppleCD 600e





## Specifications

---

AppleCD 300e Plus/600e





## Characteristics

### **300e Access Time (Including Latency)**

Normal speed: 410 ms (typical)

Double speed: 295 ms (typical)

### **600e Access Time**

Random seek: 168 ms

Double access: < 200 ms





### **300e/600e Data-Streaming Rate**

Normal speed (600e single speed):

Mode 1: 150K/sec.

Mode 2: 171K/sec.

Double speed (600e only):

Mode 1: 300K/sec.

Mode 2: 342K/sec.

Quad speed (600e only):

Mode 1: 600K/sec.

Mode 2: 684K/sec.



**Block Rate**

Double speed:

Mode 1: 300K/sec.

Mode 2: 342K/sec.

Quadruple speed (600e only):

Mode 1: 600K/sec.

Mode 2: 684.4K/sec.

Normal speed: 75 blocks/sec.

Double speed: 150 blocks/sec.

Quadruple speed: 300 blocks/sec. (600e only)

**300e SCSI Transfer Rate**

Approximately 2.5 MB/sec.

**600e SCSI Transfer Rate**

Approximately 5.1 MB/sec.





<b>Rotational Speed</b>	Normal speed: Approximately 230–530 rpm Double speed: Approximately 460–1,060 rpm Quadruple speed: Approximately 920–2120 rpm
<b>300e Interfaces</b>	One headphone jack; two SCSI 50-pin connectors; two audio output jacks
<b>600e Interfaces</b>	One stereo headphone jack; two SCSI 50-pin connectors; two stereo audio output jacks, front panel volume control, front panel LED busy indicator
<b>Playback Medium</b>	12-cm optical disc (any CD-ROM or audio compact disc is compatible) 8-cm optical disc (600e only)





**300e Formats**

Multisession Kodak Photo CD (QuickTime required); CD-ROM XA; CDI; standard audio CDs; CD-ROM

**600e Formats**

Multisession Kodak Photo CD; CD-ROM XA; CDI; standard audio CDs; ISO 9660/High Sierra; Macintosh HFS; CD+G; CD+MIDI





## Capacity

### **Data Capacity**

Mode 1: 656 MB

Mode 2: 748 MB

### **Recording Surfaces**

1

### **300e Data/Block (Available to User)**

Mode 1: 2,048 bytes

Mode 2: 2,336 bytes

### **600e Data/Block**

Mode 1: 656 MB

Mode 2: 748 MB







## Audio Playback

<b>300e Playing Time</b>	More than 1 hr.
<b>600e Playing Time</b>	74 mins., 42 secs.
<b>Frequency Response</b>	20-20,000 Hz
<b>600e Stereo</b>	44 kHz sampling rate





## Environmental

**300e Operating  
Temperature**

-41-131°F (5-55°C)

**600e Operating  
Temperature**

-41-104°F (5-40°C)

**Relative Humidity**

5-90% noncondensing

**Storage  
Temperature**

-22 to 122°F (-30 to 50°C)





## Electrical

**Line Voltage**

100-240 VAC

**Frequency**

50-60 Hz

**300e Power  
Consumption**

0.25-28 A





## Physical

### **300e Dimensions**

Height: 1.95 in. (4.9 cm)

Width: 7 in. (17.75 cm)

Depth: 12.9 in. (32.5 cm)

### **600e Dimensions**

Height: 2.32 in. (5.9 cm)

Width: 6.22 in. (15.8 cm)

Depth: 13.1 in. (32.3 cm)

### **300e Weight**

6.5 lb. (2.9 kg)

### **600e Weight**

5.73 lb. (2.6 kg)





Troubleshooting  
AppleCD 300e Plus/600e

---





## General

The Symptom Charts included in this chapter will help you diagnose specific symptoms related to your product. Because cures are listed on the charts in the order of most likely solution, try the first cure first. Verify whether or not the product continues to exhibit the symptom. If the symptom persists, try the next cure. (Note: If you have replaced a module, reinstall the original module before you proceed to the next cure.)

If you are not sure what the problem is, or if the Symptom Charts do not resolve the problem, refer to the Flowchart for the product family.

For additional assistance, contact Apple Technical Support.





## Symptom Charts

Green power light is not on

Replace drive assembly.

CD-ROM drive does not accept disc

- 1 Replace disc (if dirty or damaged).
- 2 Replace drive assembly.

Headphone jack does not operate correctly

- 1 Replace drive assembly.
- 2 Replace enclosure with power supply.

Volume control does not operate correctly

Replace drive assembly.

Speaker jacks do not operate

- 1 Replace drive assembly.
- 2 Replace enclosure with power supply.





Macintosh cannot  
mount CD-ROM drive

- 1 Make sure tray is closed.
- 2 Replace drive assembly.
- 3 Replace enclosure with power supply.

Tray does not open

- 1 Press eject button.
- 2 Insert paper clip in hole next to eject button.
- 3 Replace drive assembly.

CD Plus (CD+)  
format CD-ROM disc  
causes stuttering  
sound, and may not  
mount.

Replace CD-ROM drive.







## Take Apart

---

AppleCD 300e Plus/600e

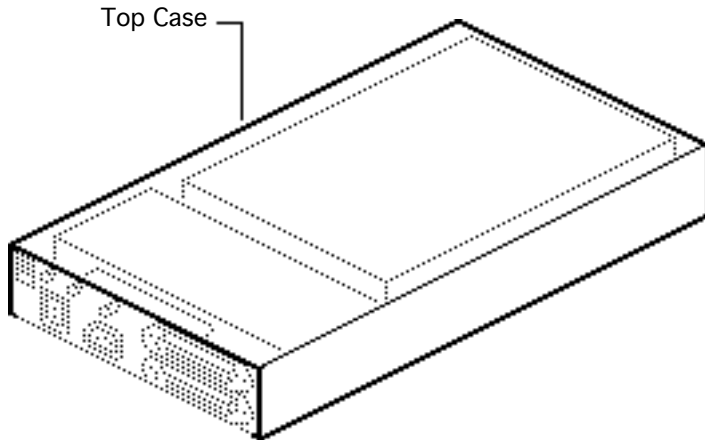




## Top Case

No preliminary steps are required before you begin this procedure.

**Caution:** The CD-ROM drive is a mechanical device with moving parts. Rough handling can cause mechanical failures. Follow these guidelines when you handle or repair the CD-ROM drive:



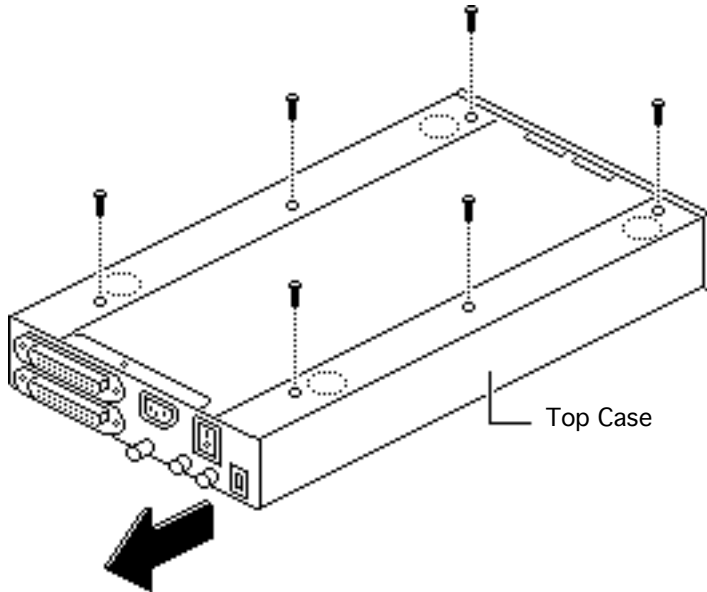


- Switch off the power and make sure no SCSI devices are attached to the drive.
- Place the drive on a soft, grounded surface before starting repairs.
- Never transport the drive with a CD-ROM disc inside.
- Use the original shipping containers when you transport the drive.



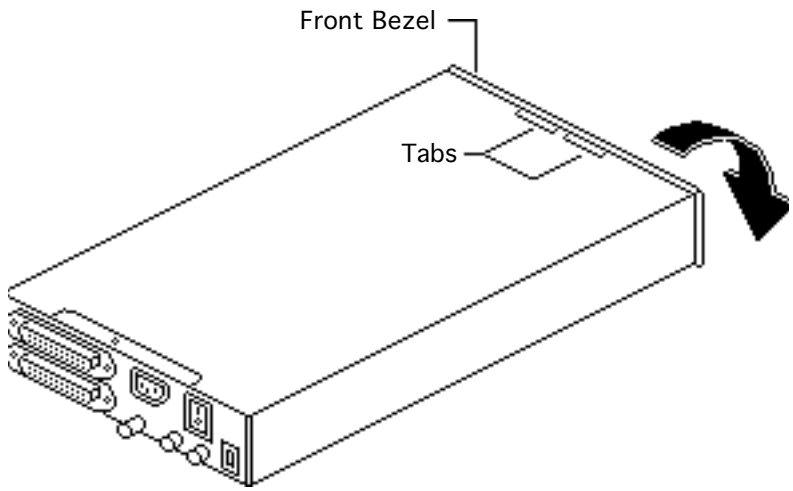


- 1 Remove the six case screws.
- 2 Slide off the top case.





- 3 Lift up the tabs and carefully remove the front bezel.

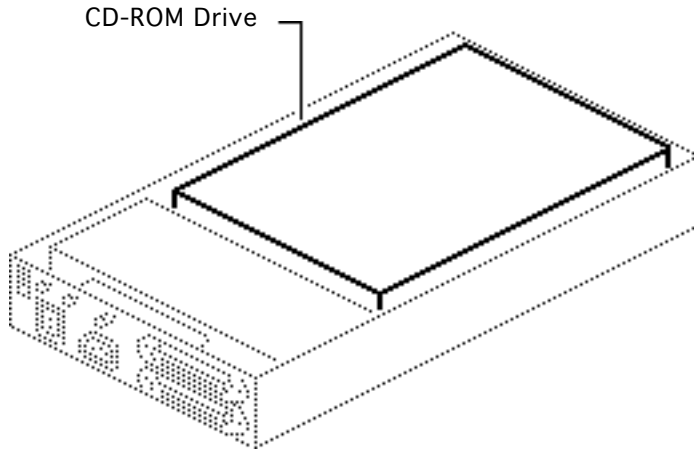




## CD-ROM Drive Assembly

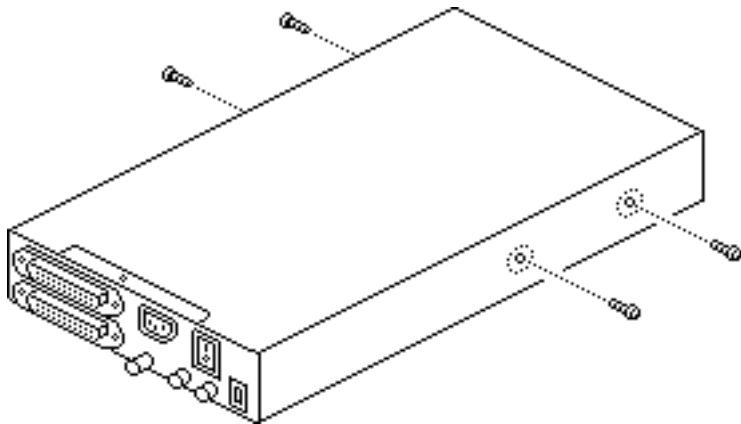
Before you begin, remove the top case.

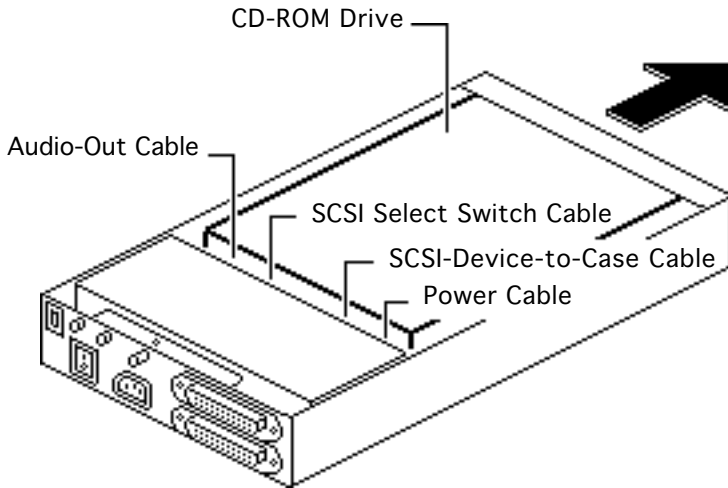
**Caution:** Review the ESD precautions in Bulletins/Safety.





- 1 Remove the four drive mounting screws from the bottom of the case.





- 2 Hold the drive and turn over the case.
- 3 Slide the drive forward slightly and disconnect the following cables:
  - Audio-out cable
  - SCSI select switch cable
  - SCSI-device-to-case cable
  - Power cable
- 4 Remove the drive from the enclosure.





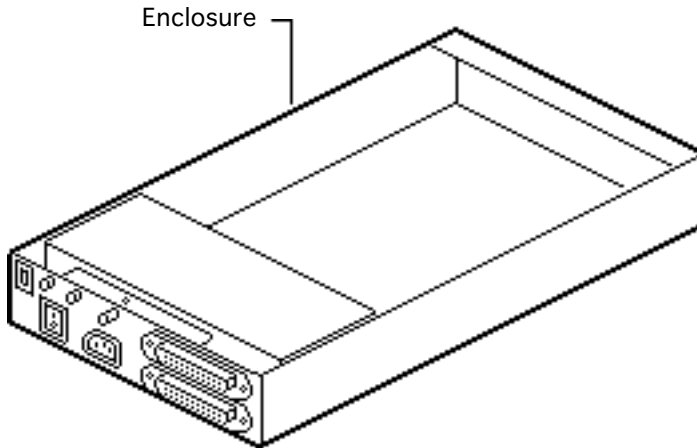


## Enclosure

To access the enclosure,  
remove the following:

- Top case
- CD-ROM drive assembly

**Caution:** Review the ESD  
precautions in Bulletins/  
Safety.





Exploded View

---

AppleCD 300e Plus/600e



